
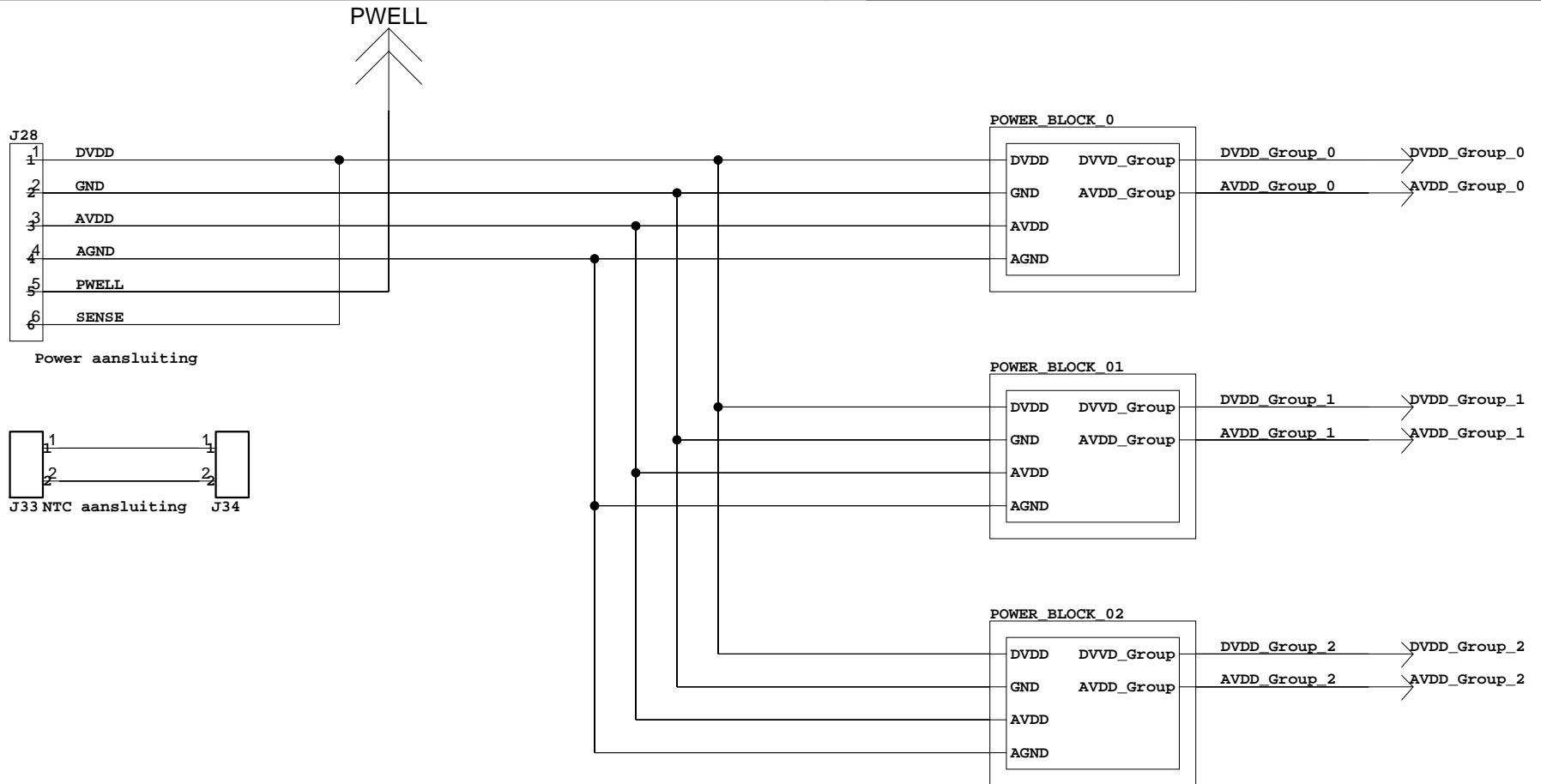

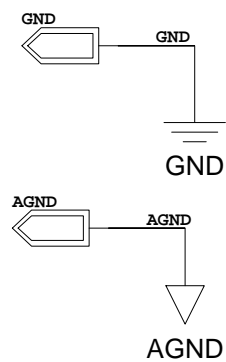
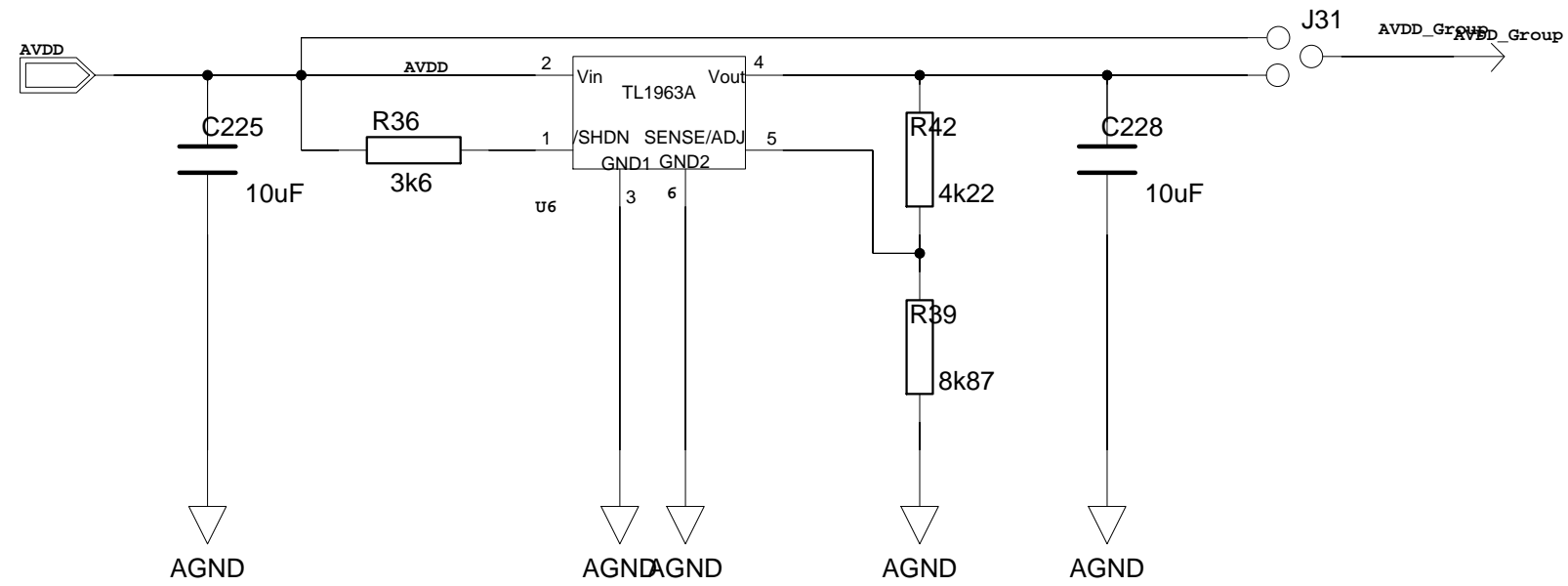
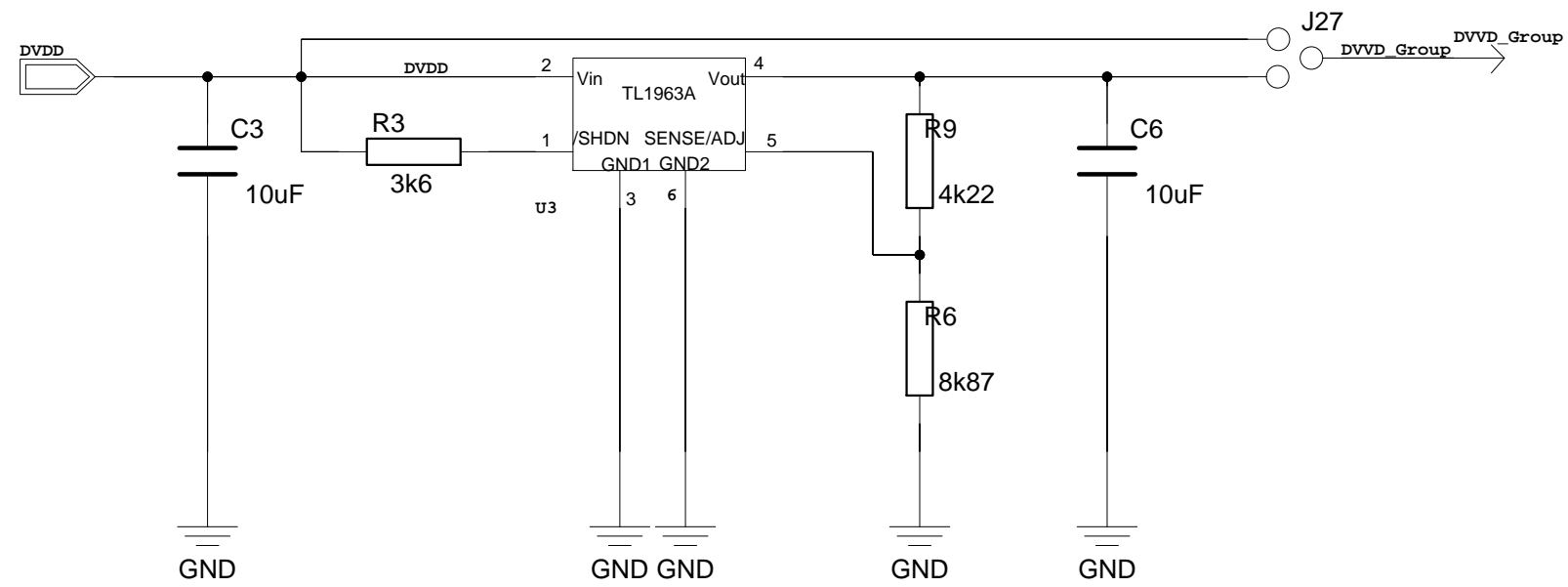


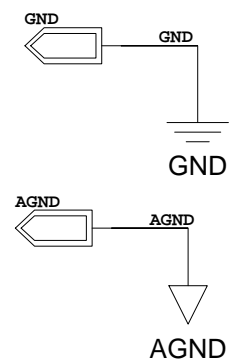
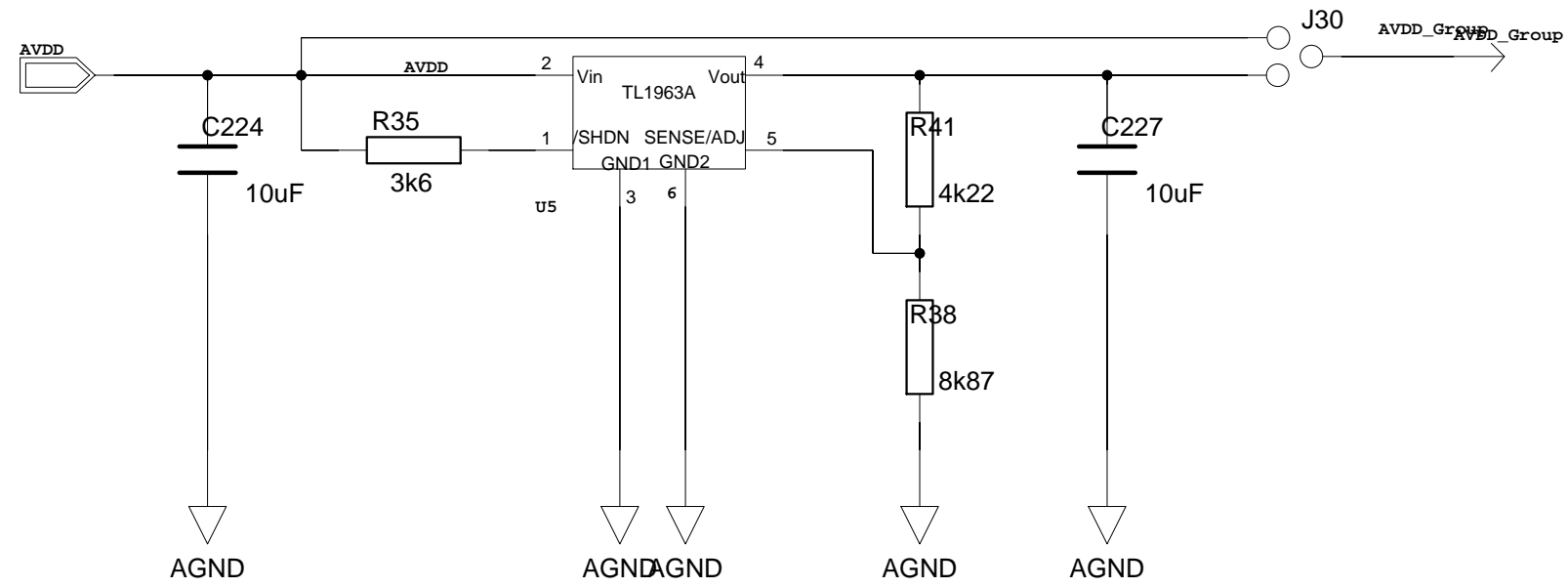
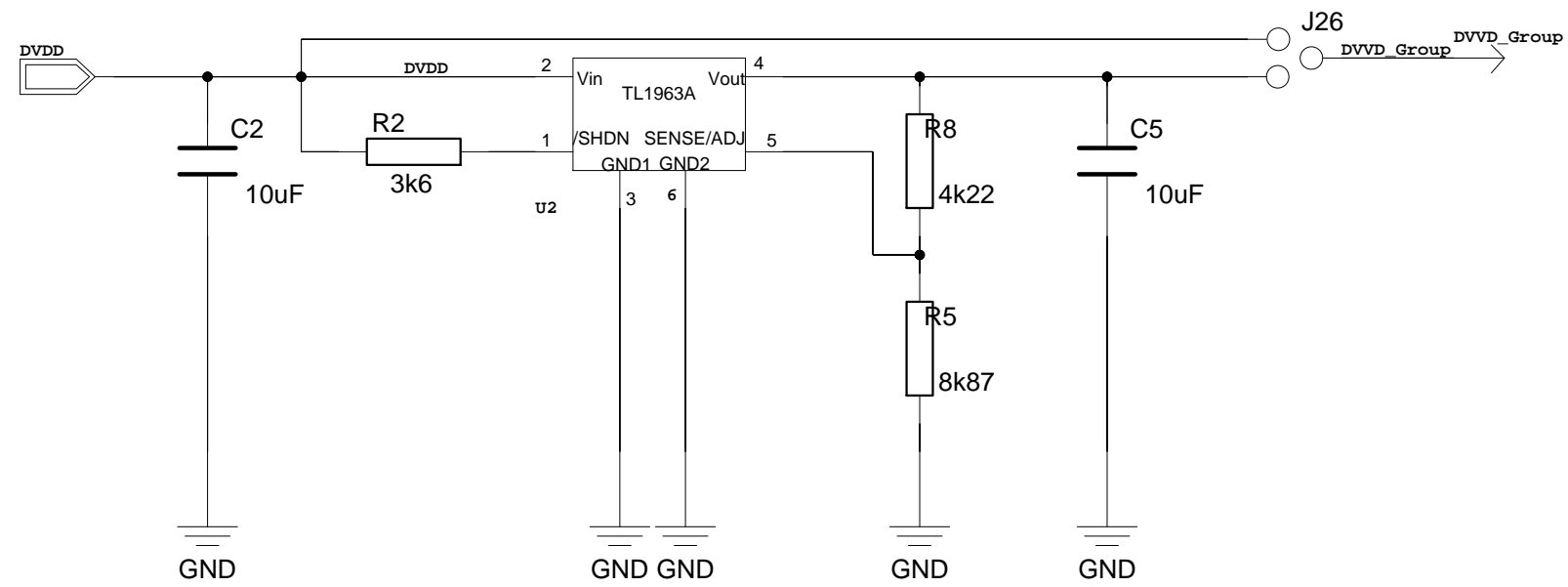
OK no.			Scientific Instrumentation		
APPROVALS					
DRAWN BY	IGF	Top_Level			
CHECKED		SIZE		VER	REV
DATE		A			
TIME:	07/02/2018:14:24	SHEET of 4			



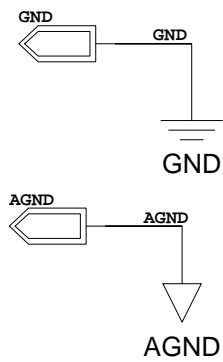
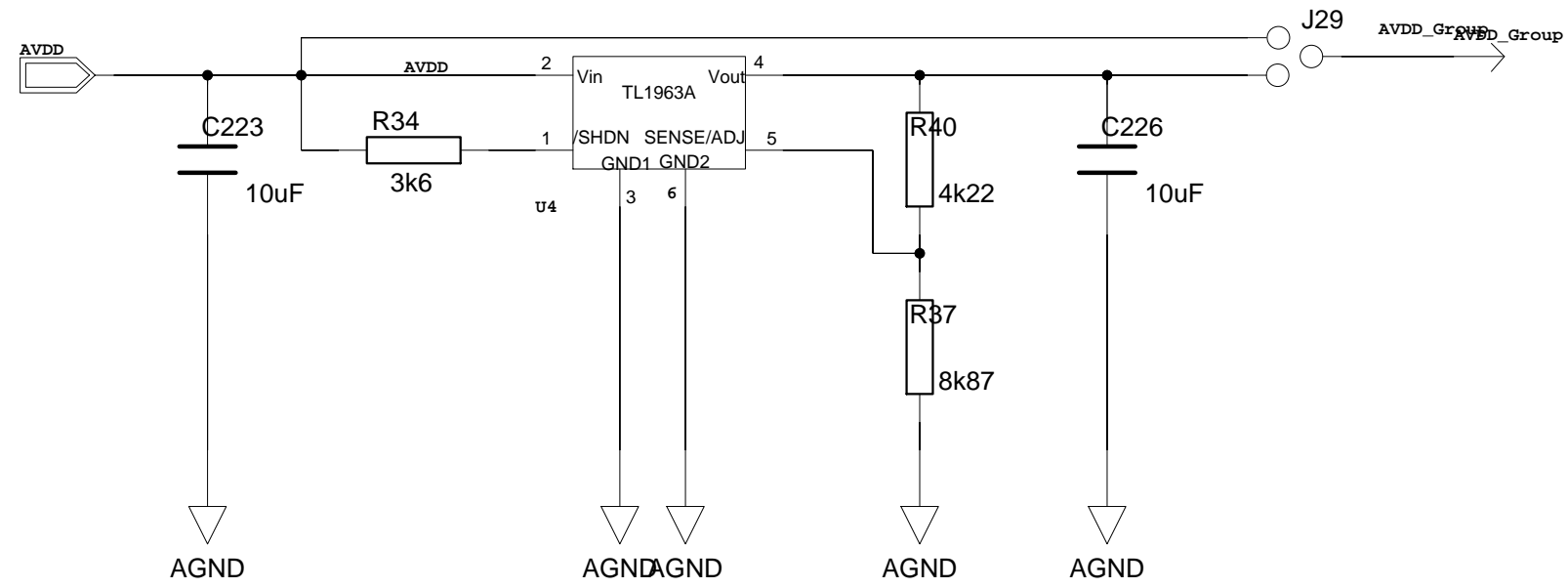
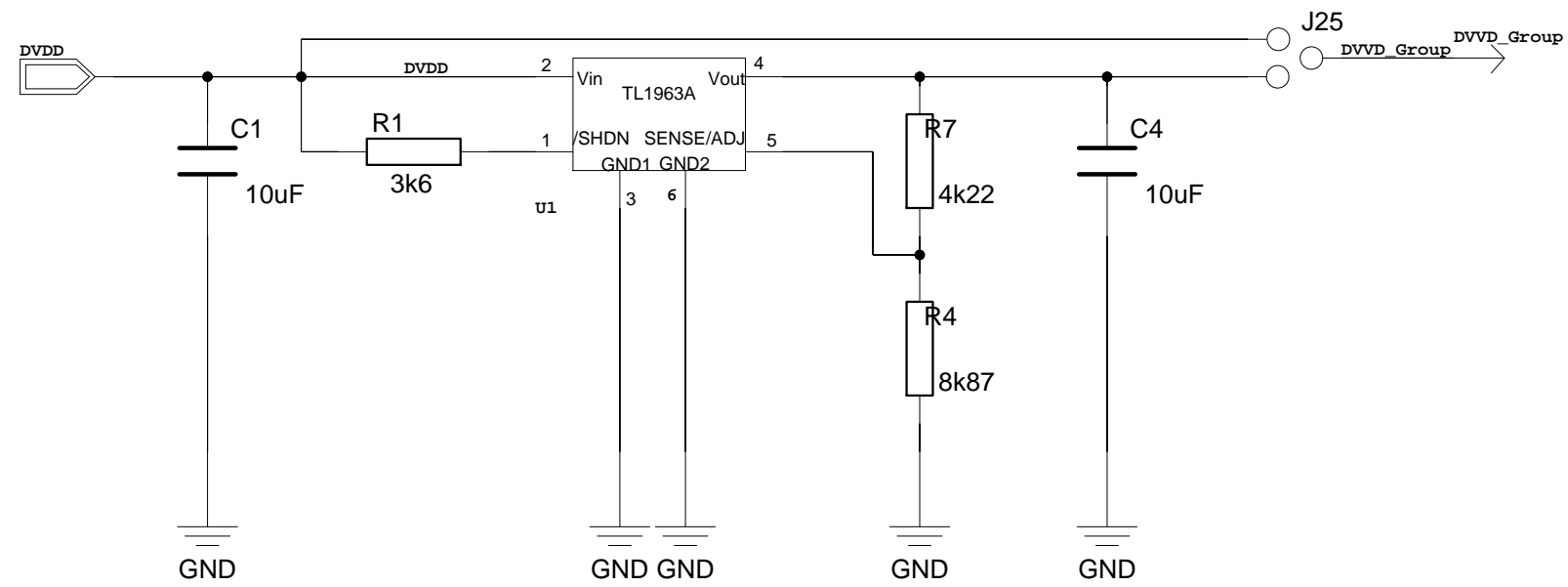
OK no.			Scientific Instrumentation				
APPROVALS							
DRAWN BY		IGF					
CHECKED							
DATE		21/02/2018:08:49	SIZE	POWER		VER	REV
TIME:			A				
			SHEET	of 6			



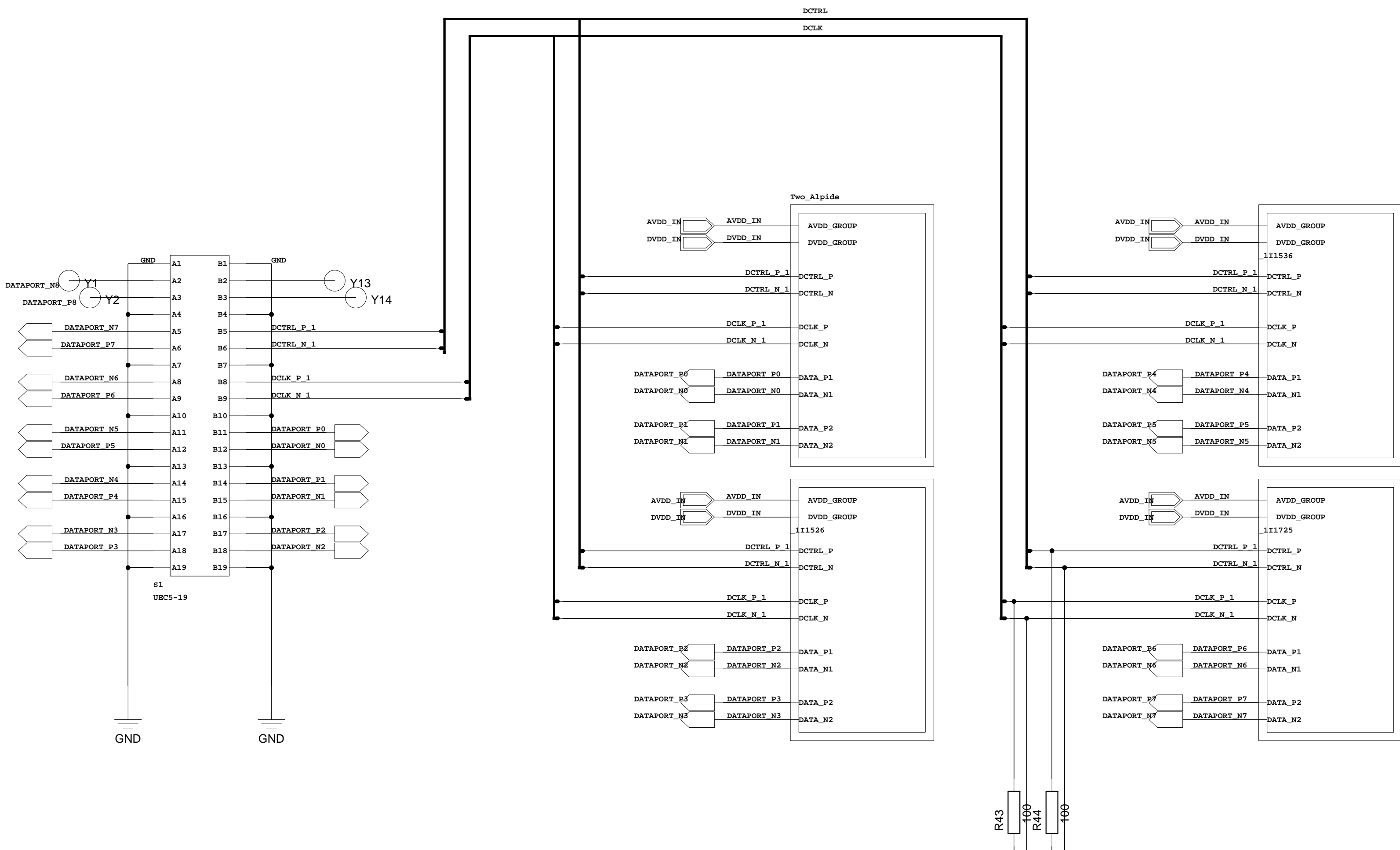
OK no.			Scientific Instrumentation	
APPROVALS			POWER_BLOCK_0	
DRAWN BY Jody Wisman	IGF	SIZE	VER	REV
CHECKED		B		
DATE				
TIME: 21/02/2018:14:27		SHEET 1 of 6		



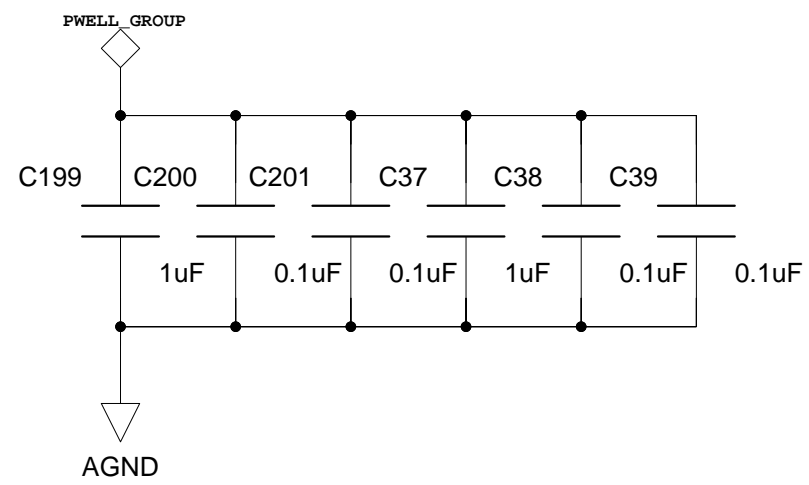
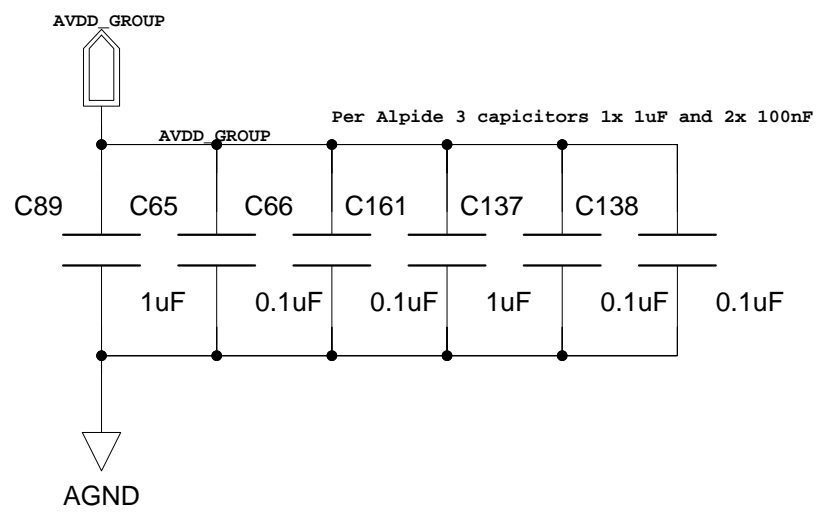
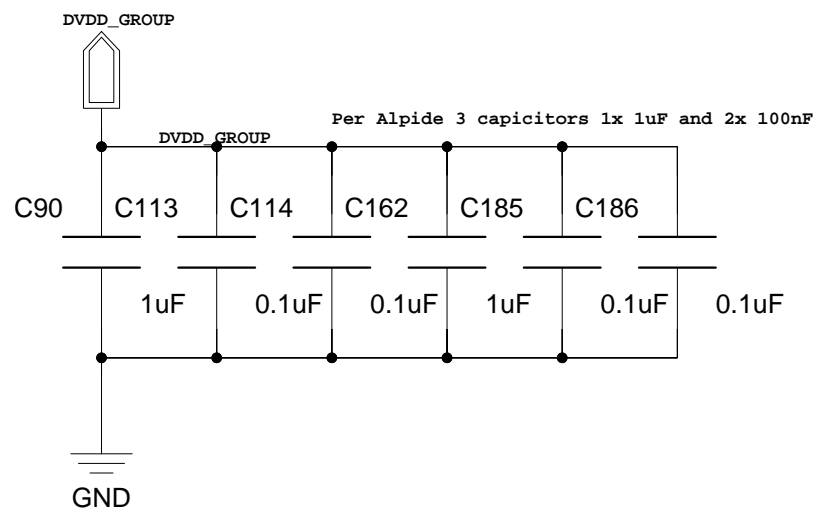
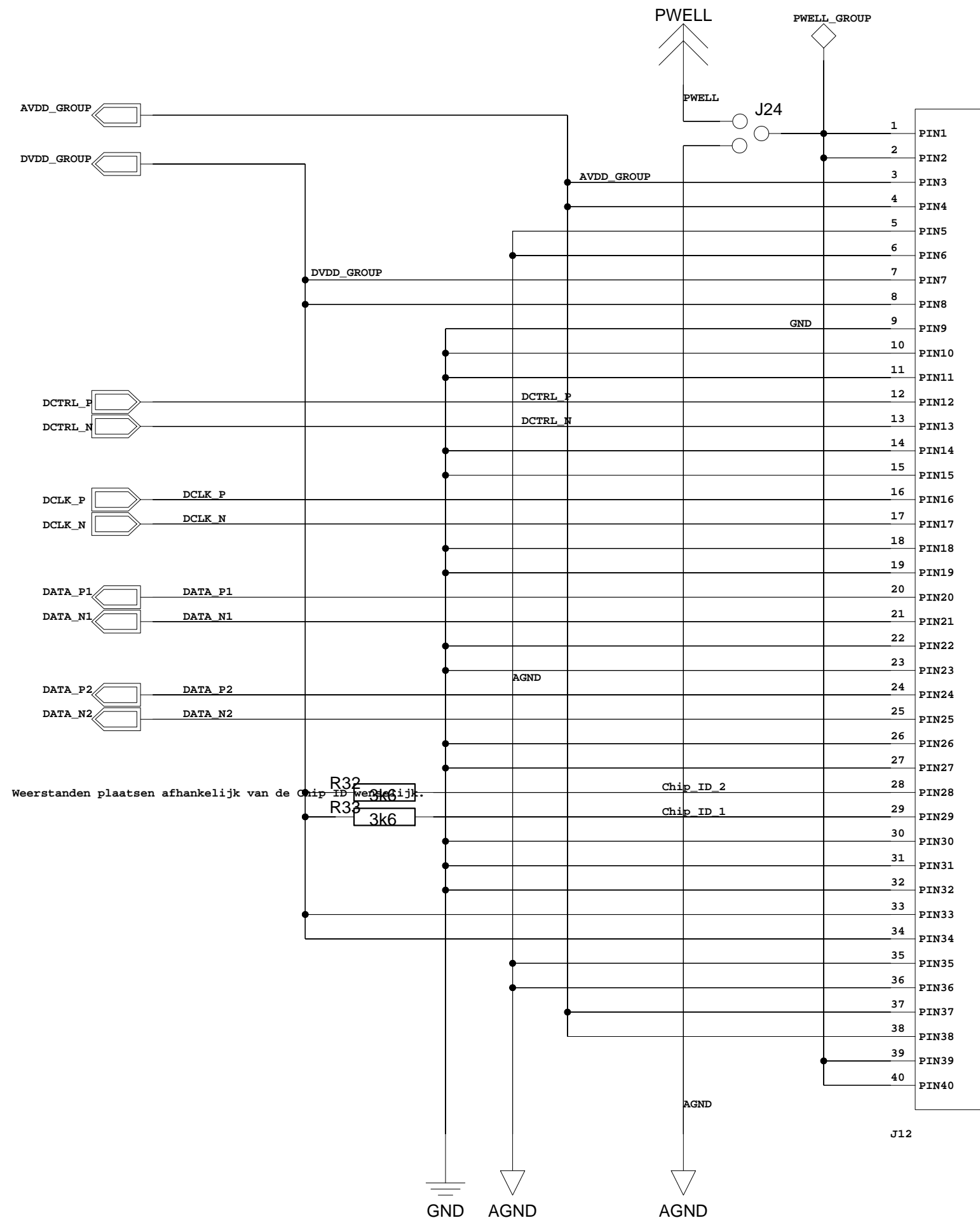
OK no.			Scientific Instrumentation	
APPROVALS			POWER_BLOCK_0	
DRAWN BY	Jody Wisman	IGF	SIZE	VER
CHECKED			B	REV
DATE				
TIME:	21/02/2018:14:27	SHEET 1 of 1		



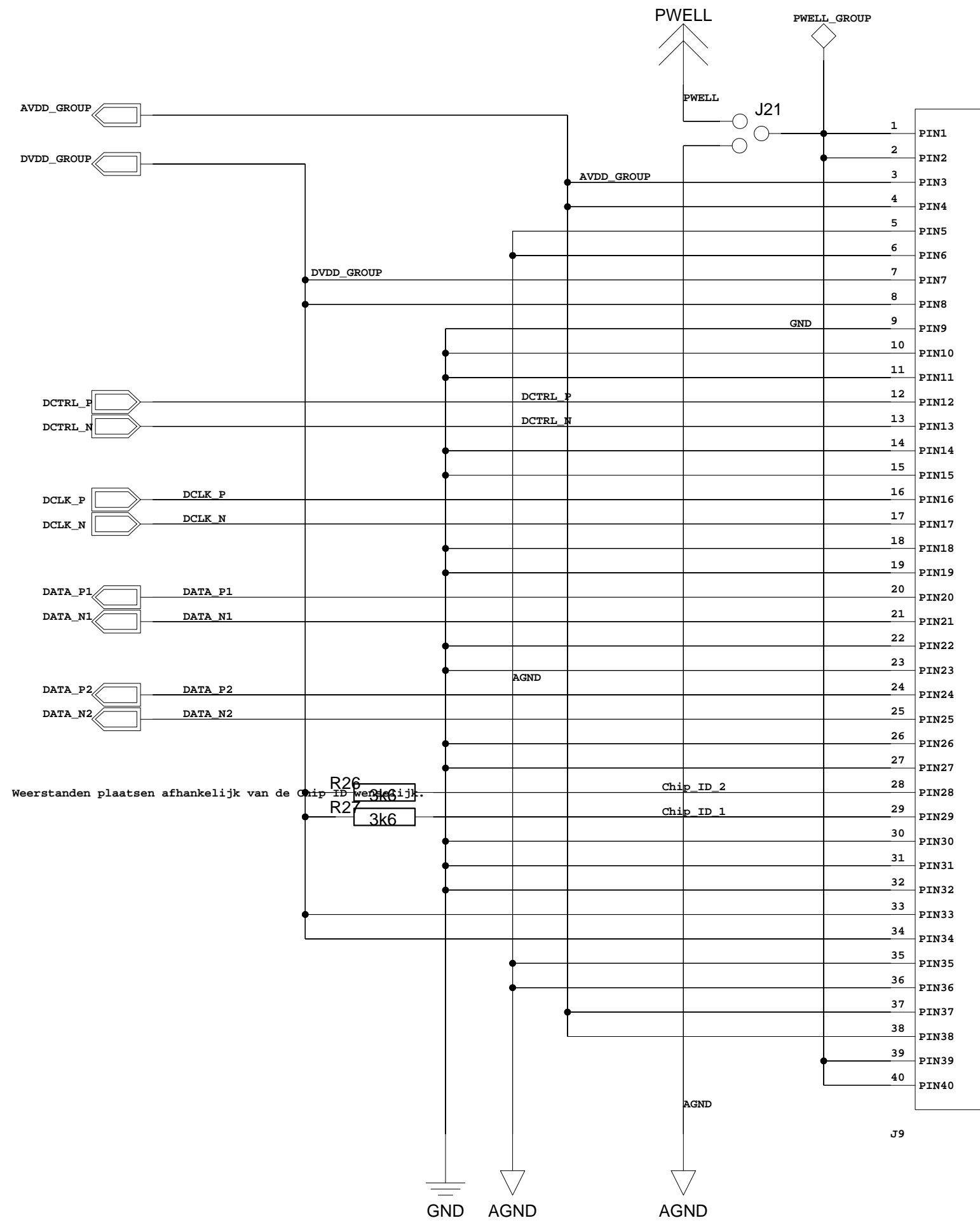
OK no.			Scientific Instrumentation	
APPROVALS			POWER_BLOCK_0	
DRAWN BY	Jody Wisman	IGF	SIZE	VER
CHECKED			B	REV
DATE				
TIME:	21/02/2018:14:27	SHEET 1 of 1		



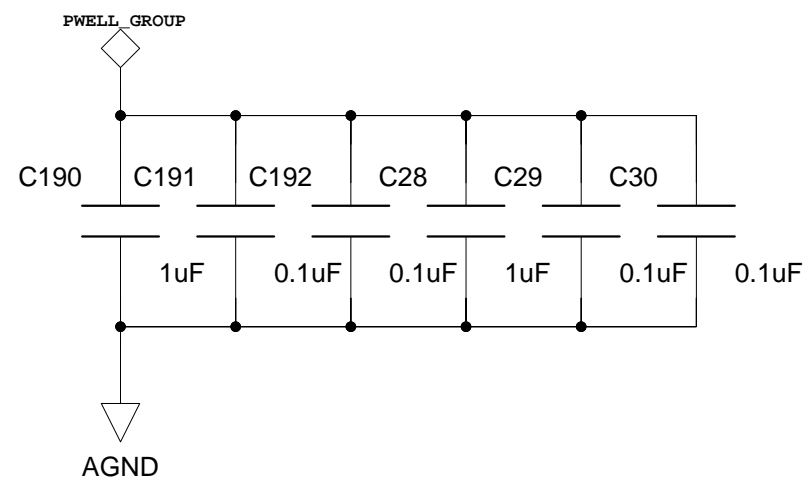
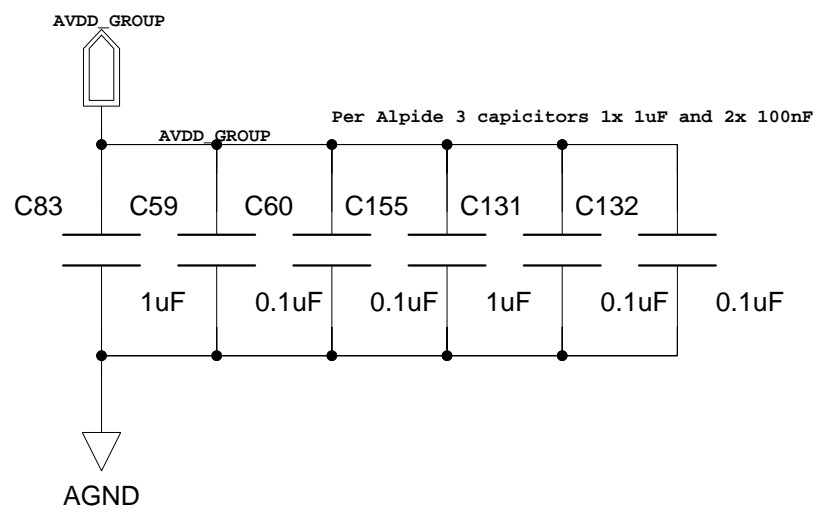
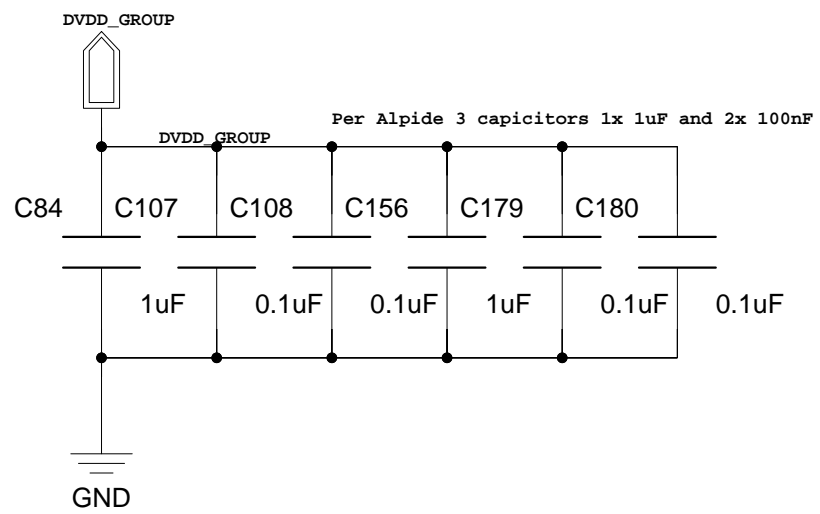
OK no.			Scientific Instrumentation			
APPROVALS			ALPIDE_group_0			
DRAWN BY		IGF	SIZE		VER	REV
CHECKED			C		1	
DATE		21/02/2018:14:30	SHEET		of	2
TIME:						



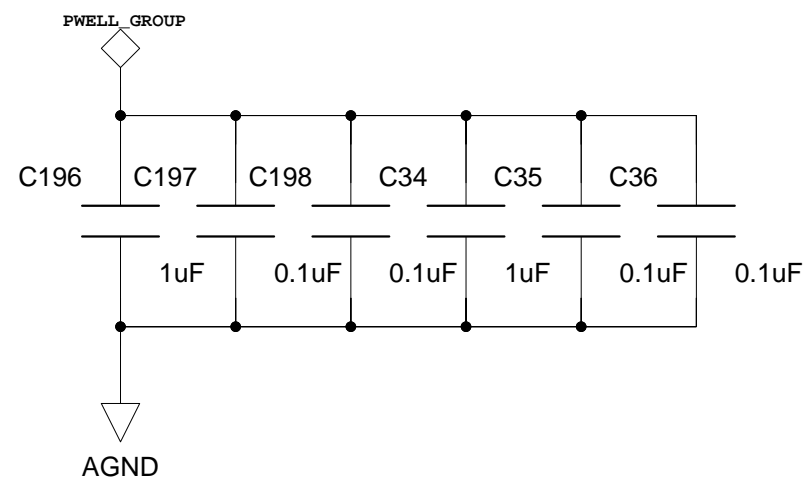
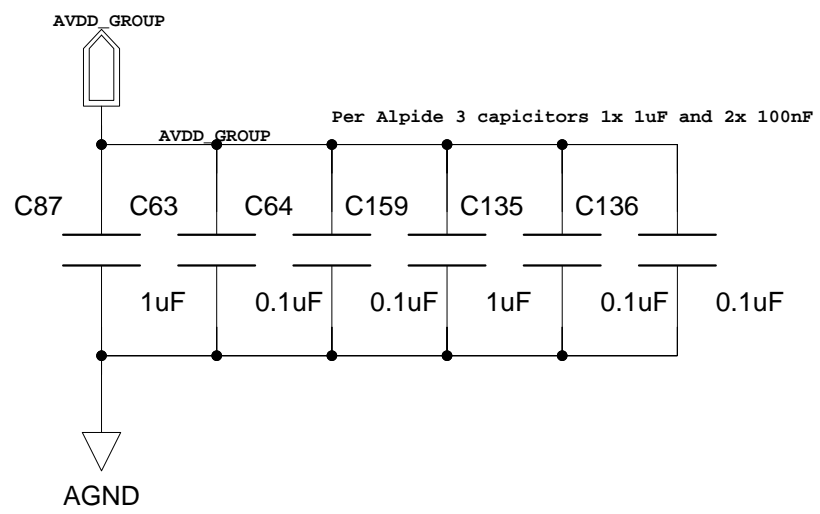
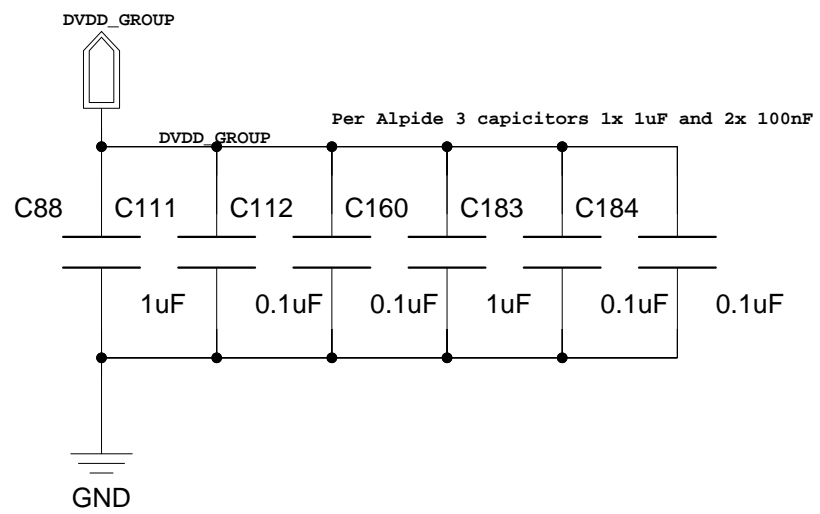
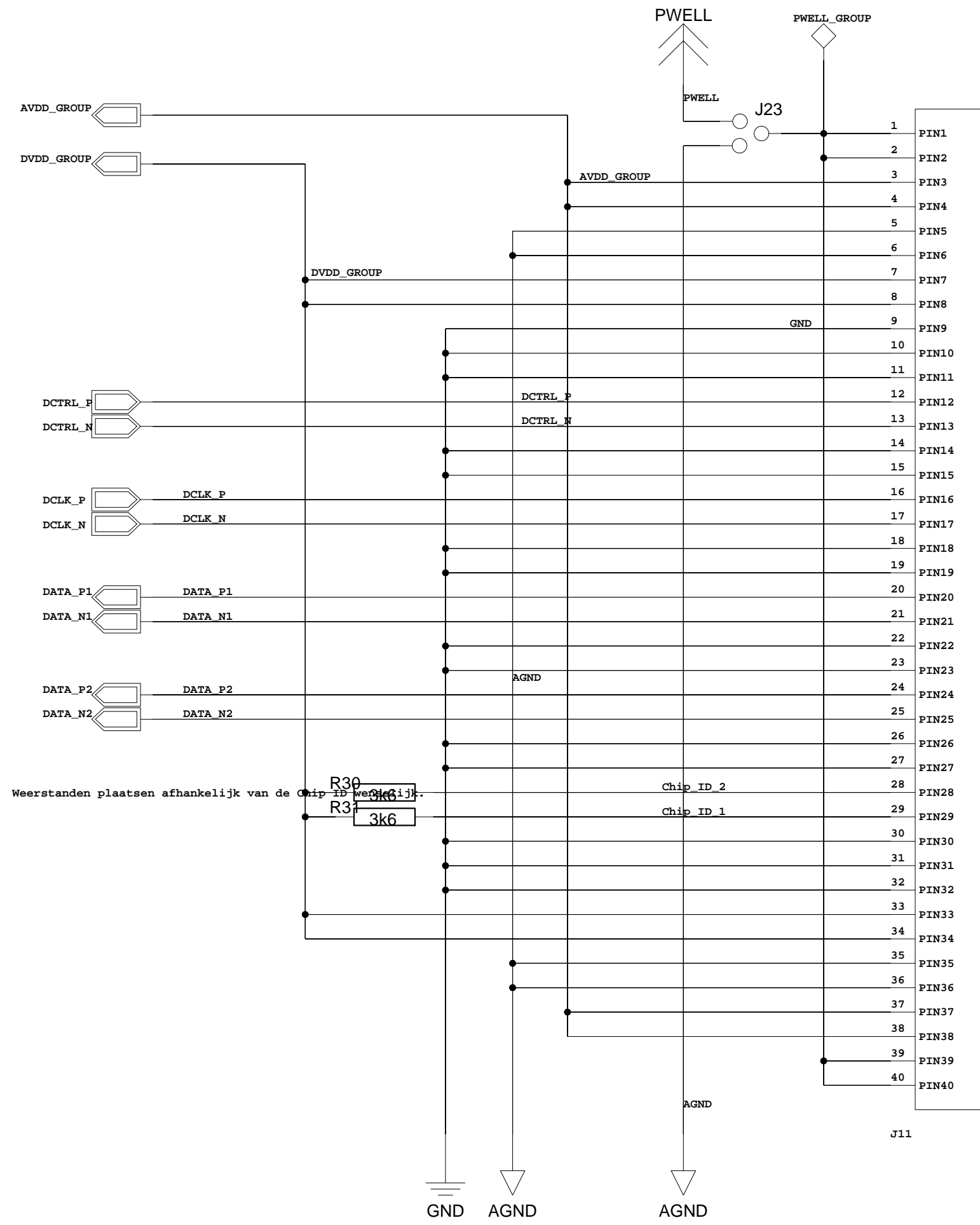
OK no.				Scientific Instrumentation	
APPROVALS					
DRAWN BY		IGF		Two_Alptide	
CHECKED				SIZE	VER
DATE		21/02/2018:15:24		C	1
TIME:				SHEET	of 11




Weerstanden plaatsen afhankelijk van de Chip ID

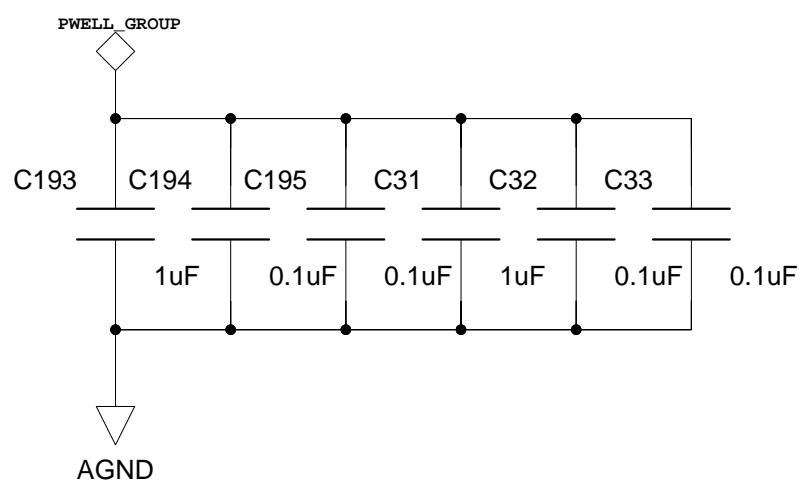
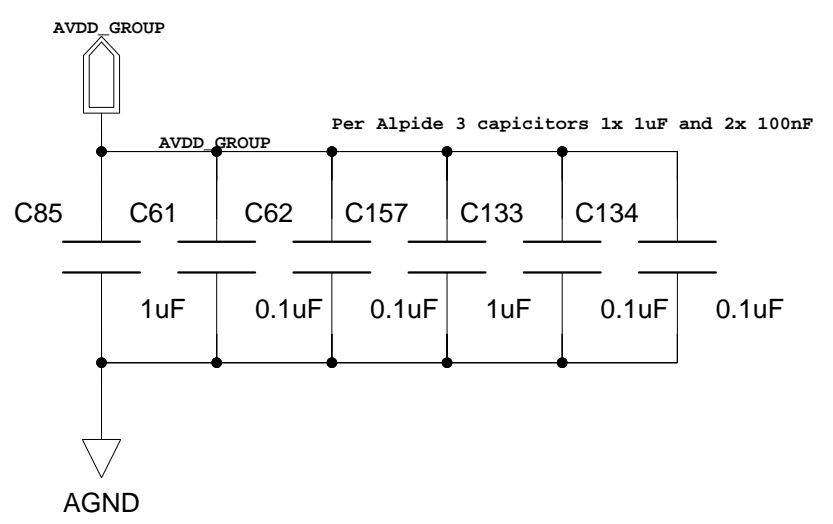
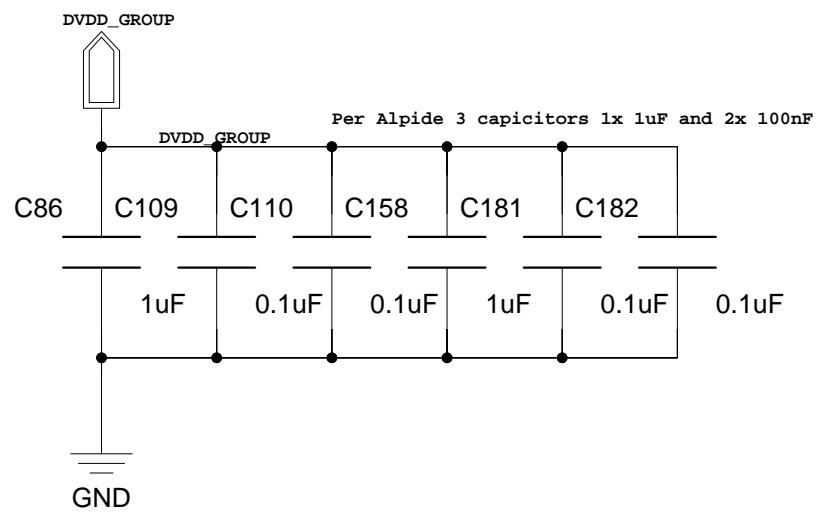
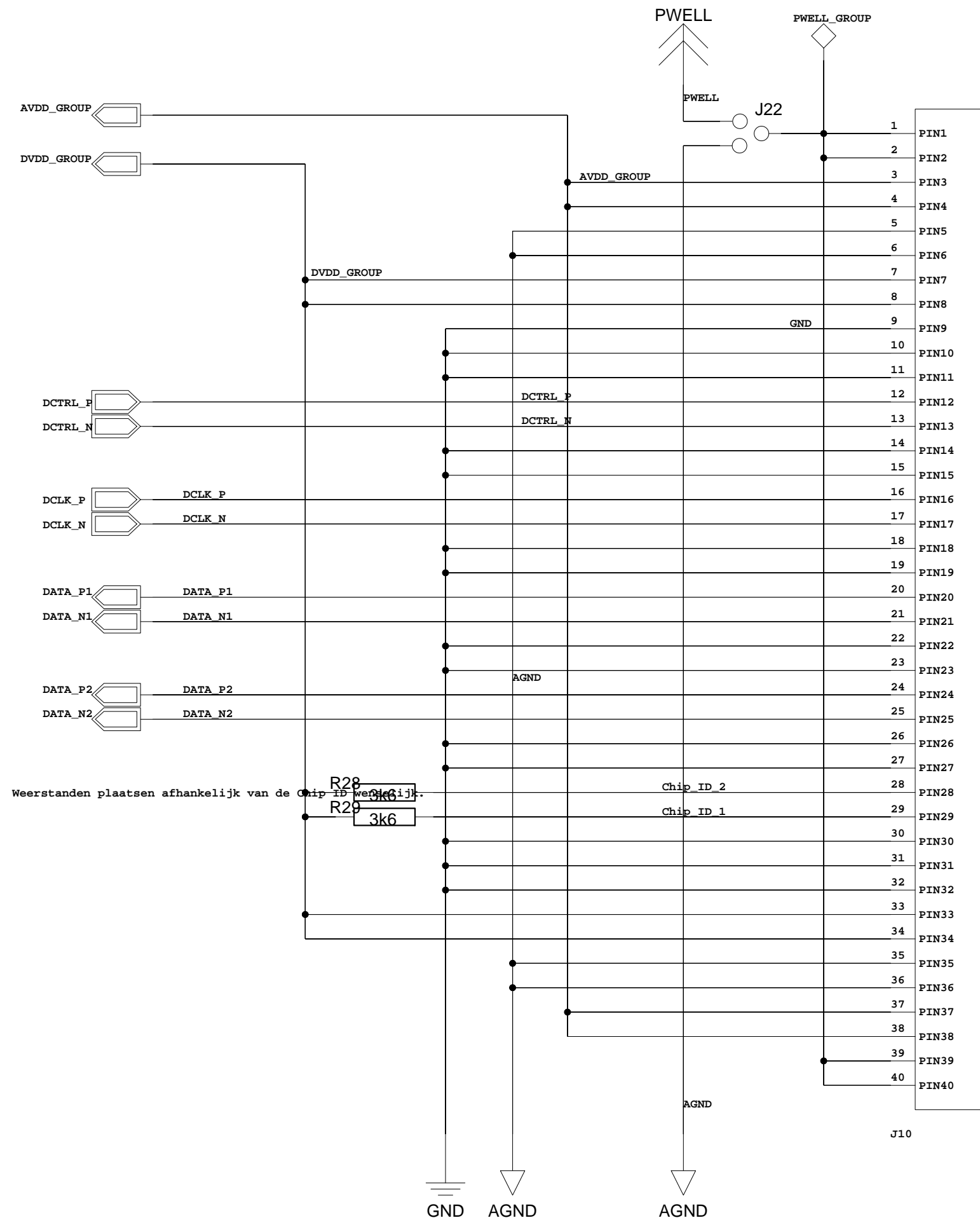



OK no.				Scientific Instrumentation	
APPROVALS					
DRAWN BY		IGF		Two_Alptide	
CHECKED				SIZE	VER
DATE		21/02/2018:15:24		C	1
TIME:				SHEET	of 1

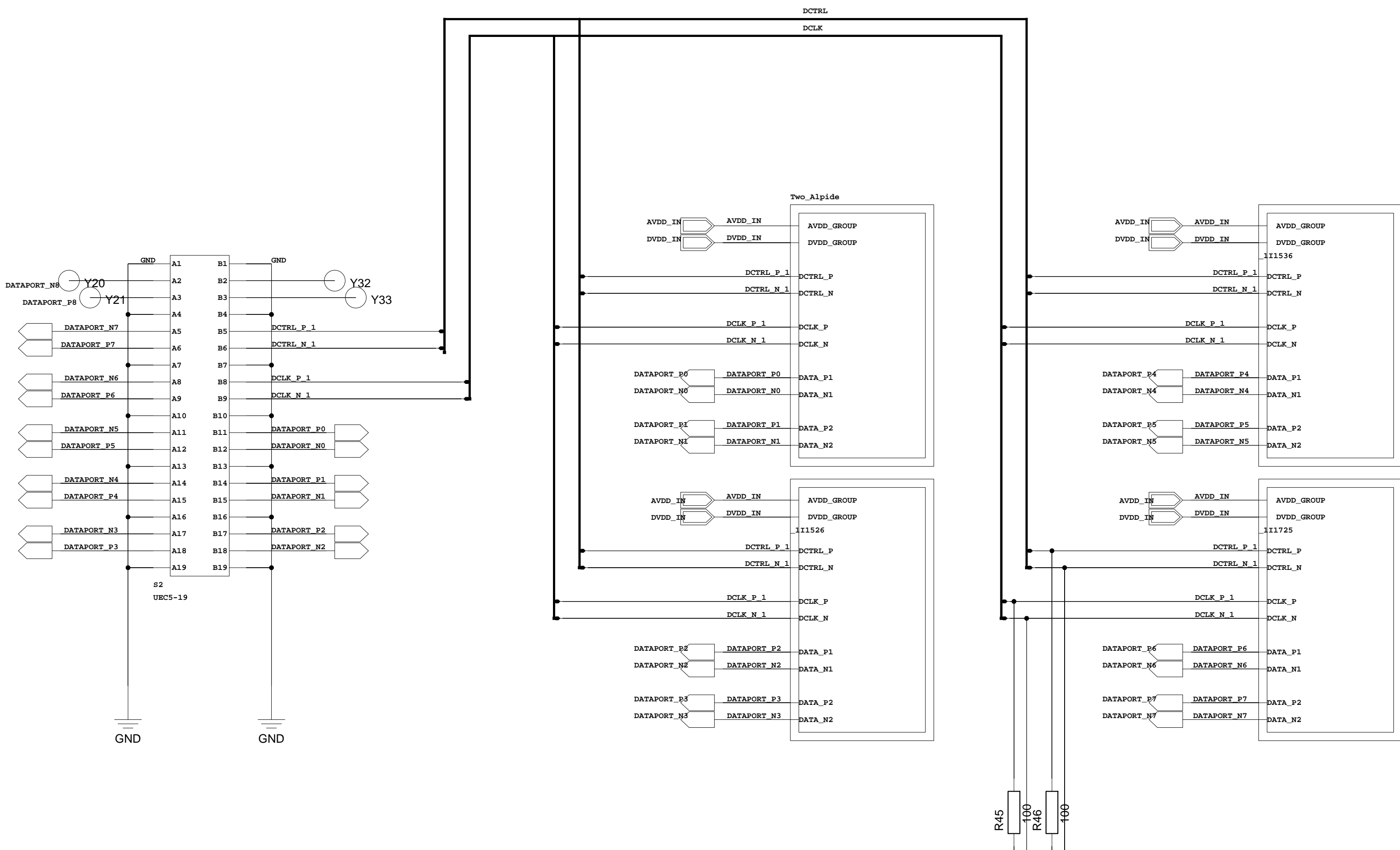


Weerstanden plaatsen afhankelijk van de Chip ID

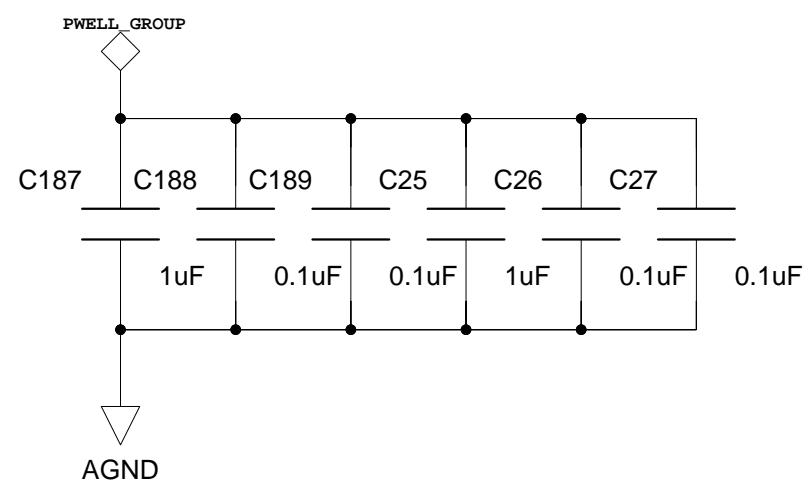
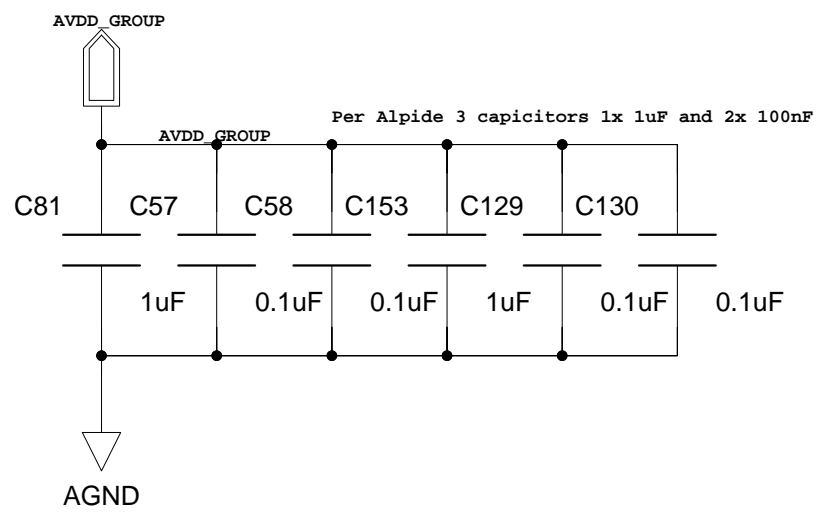
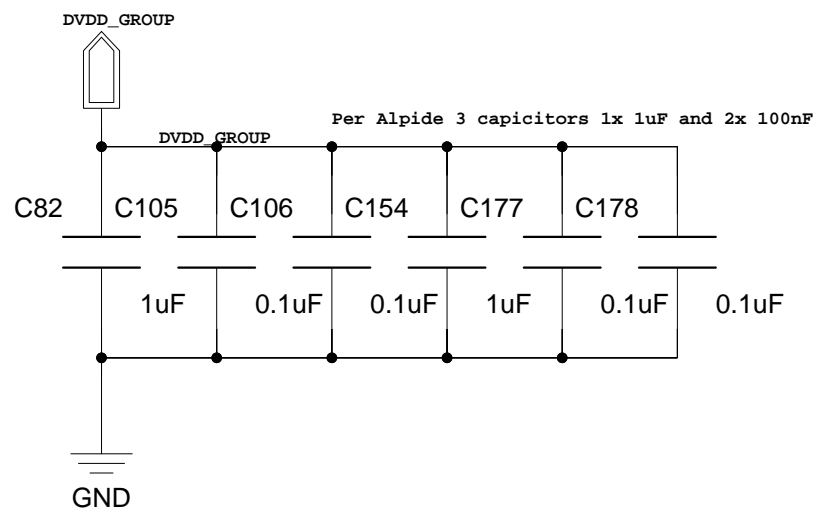
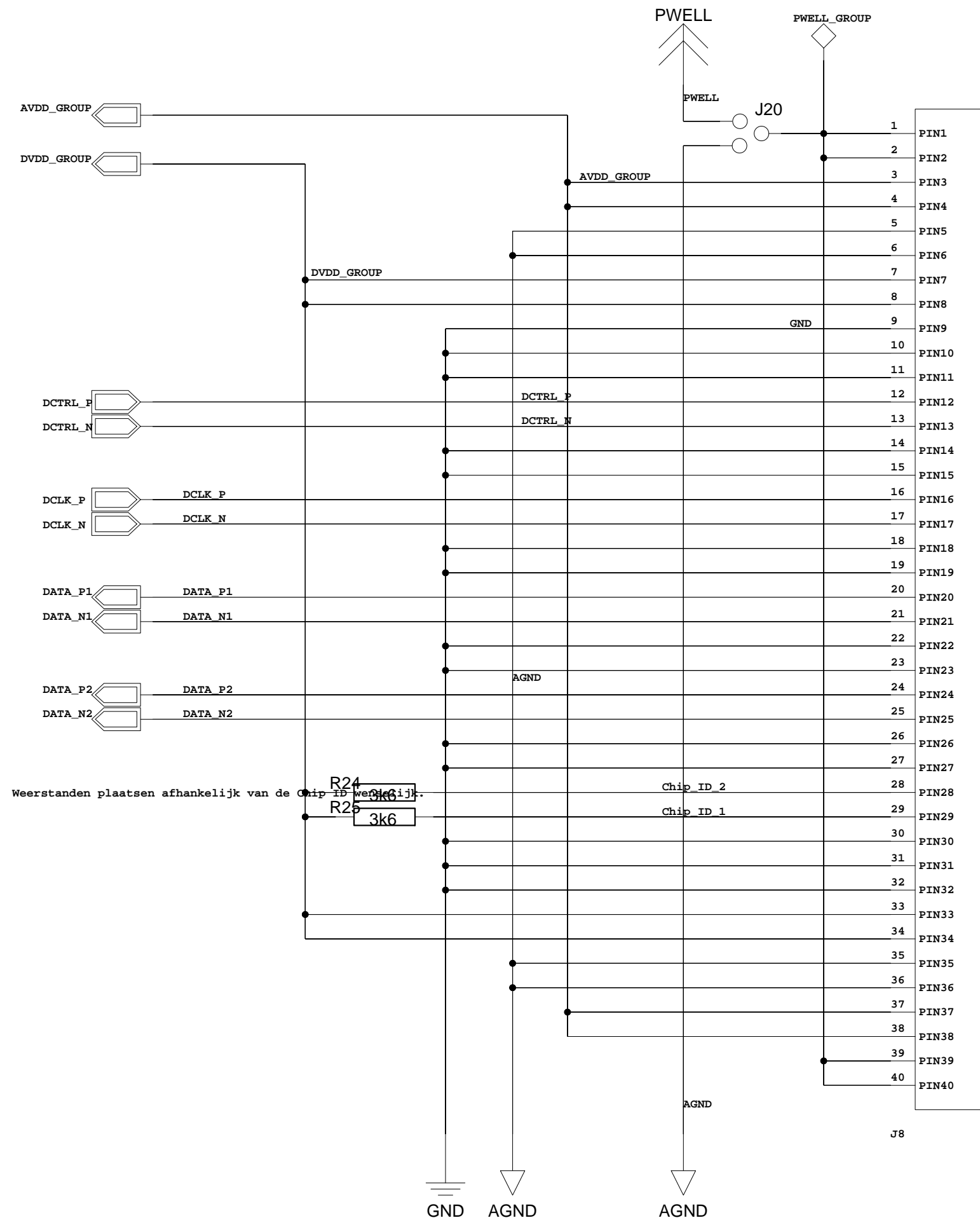
OK no.				Scientific Instrumentation			
APPROVALS				Two_Alptide			
DRAWN BY		IGF		SIZE	VER		REV
CHECKED				C	1		
DATE		21/02/2018:15:24					
TIME:				SHEET of 1			




OK no.				Scientific Instrumentation	
APPROVALS				Two_Alptide	
DRAWN BY		IGF		SIZE	VER
CHECKED				C	1
DATE		21/02/2018:15:24			REV
TIME:				SHEET	of 1

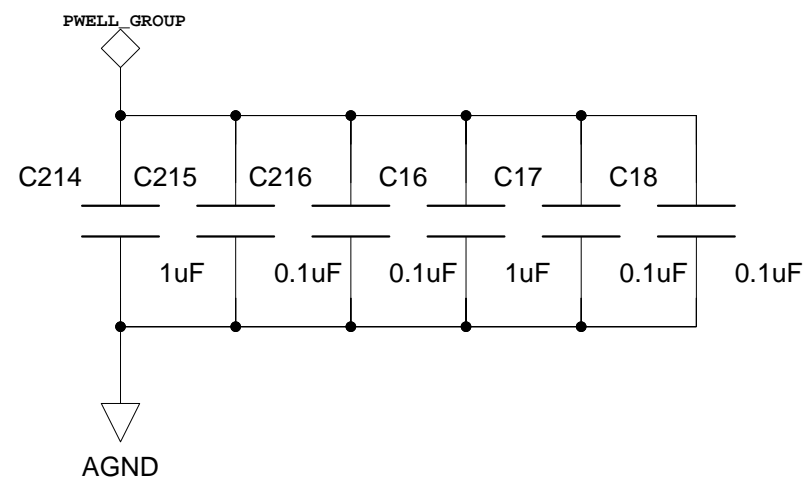
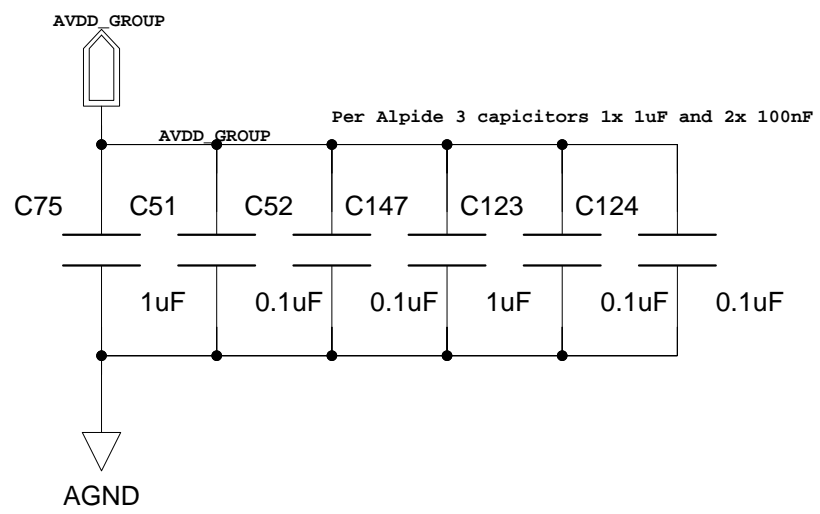
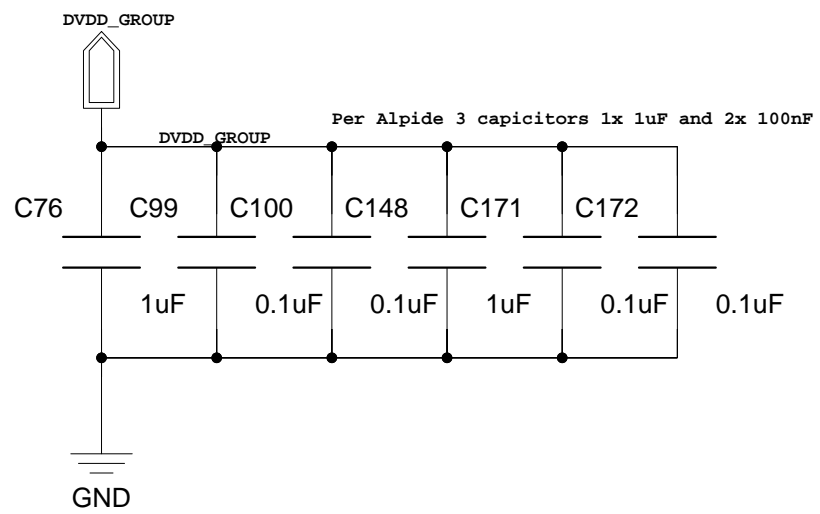
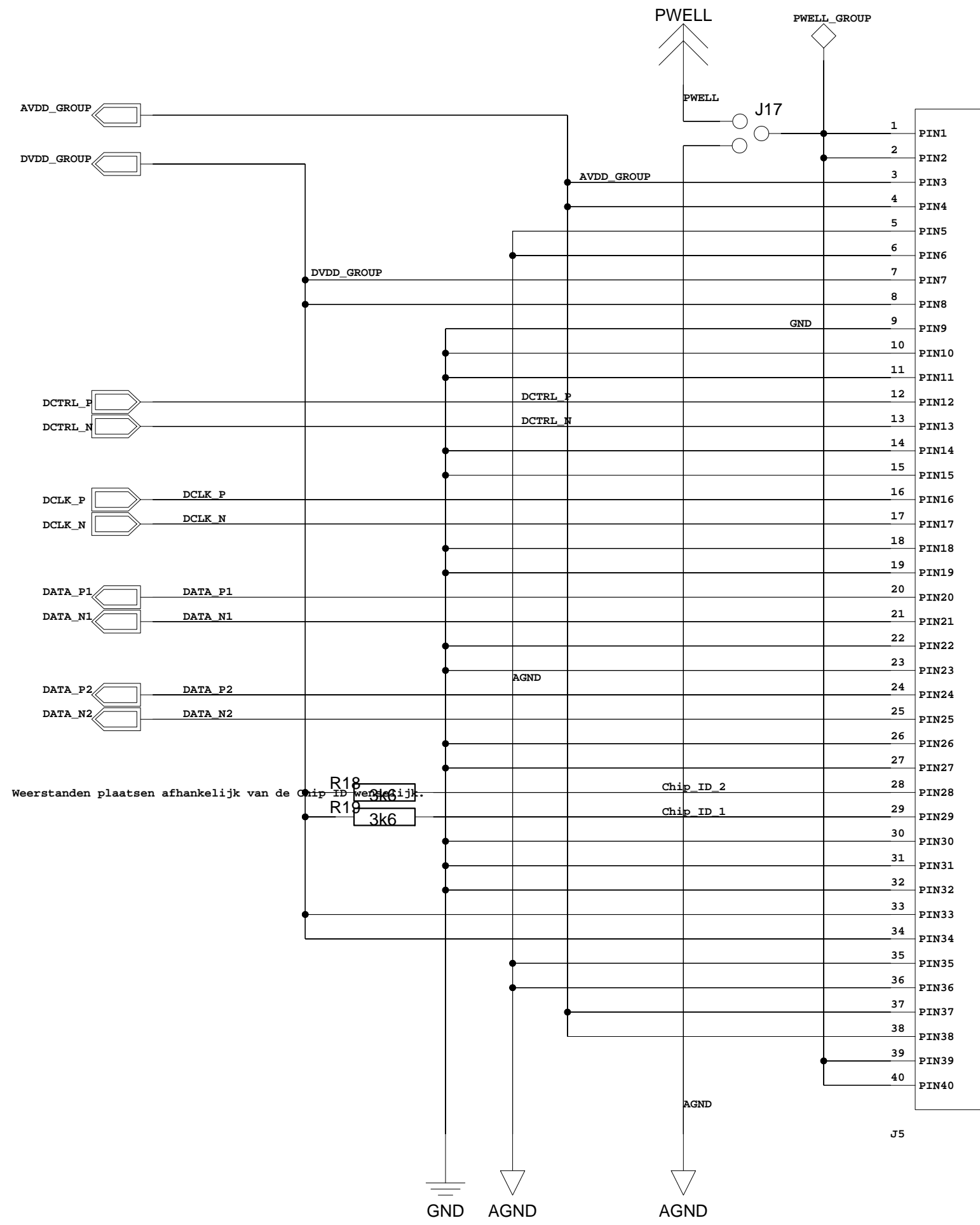


OK no.			Scientific Instrumentation			
APPROVALS			ALPIDE_group_0			
DRAWN BY		IGF		SIZE	VER	REV
CHECKED				C	1	
DATE		21/02/2018:14:30		SHEET of 1		
TIME:						

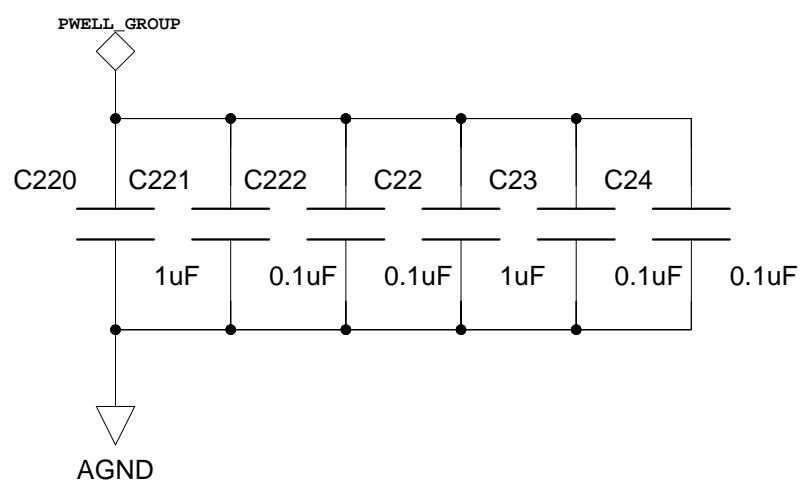
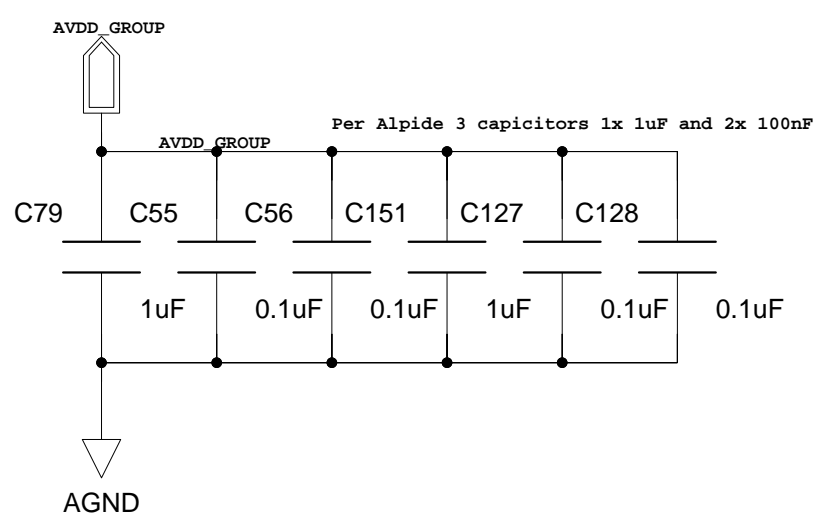
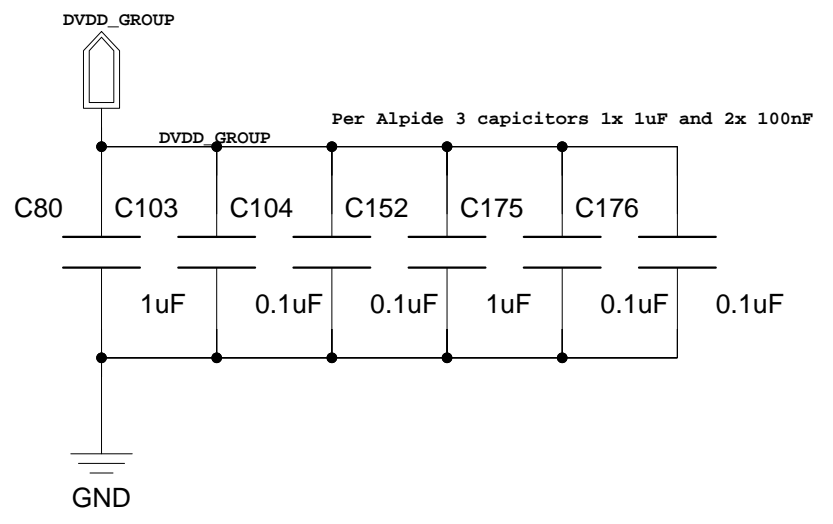
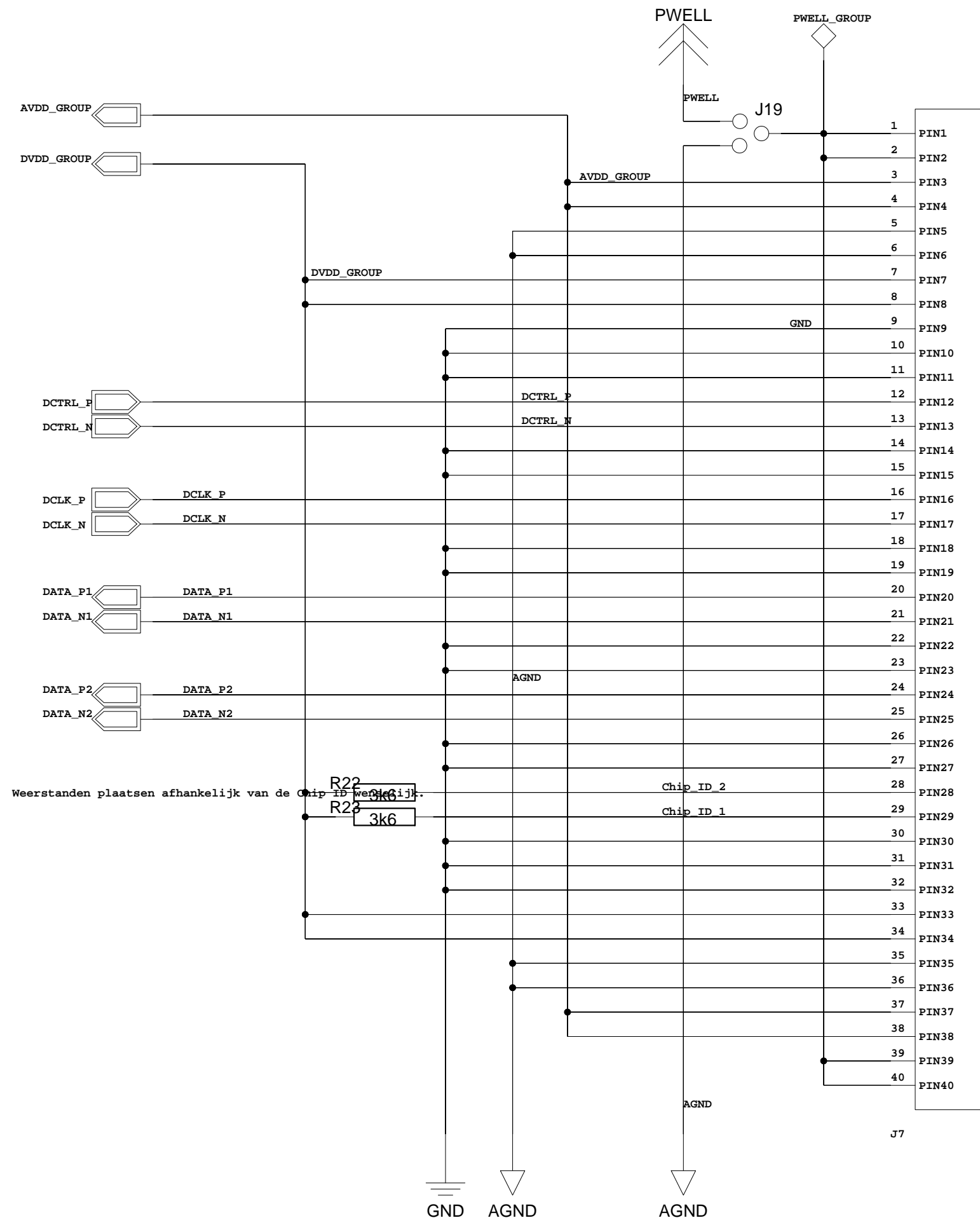


Weerstanden plaatsen afhankelijk van de Chip ID


OK no.				Scientific Instrumentation			
APPROVALS				Two_Alptide			
DRAWN BY		IGF		SIZE	VER		REV
CHECKED				C	1		
DATE		21/02/2018:15:24					
TIME:				SHEET of 1			

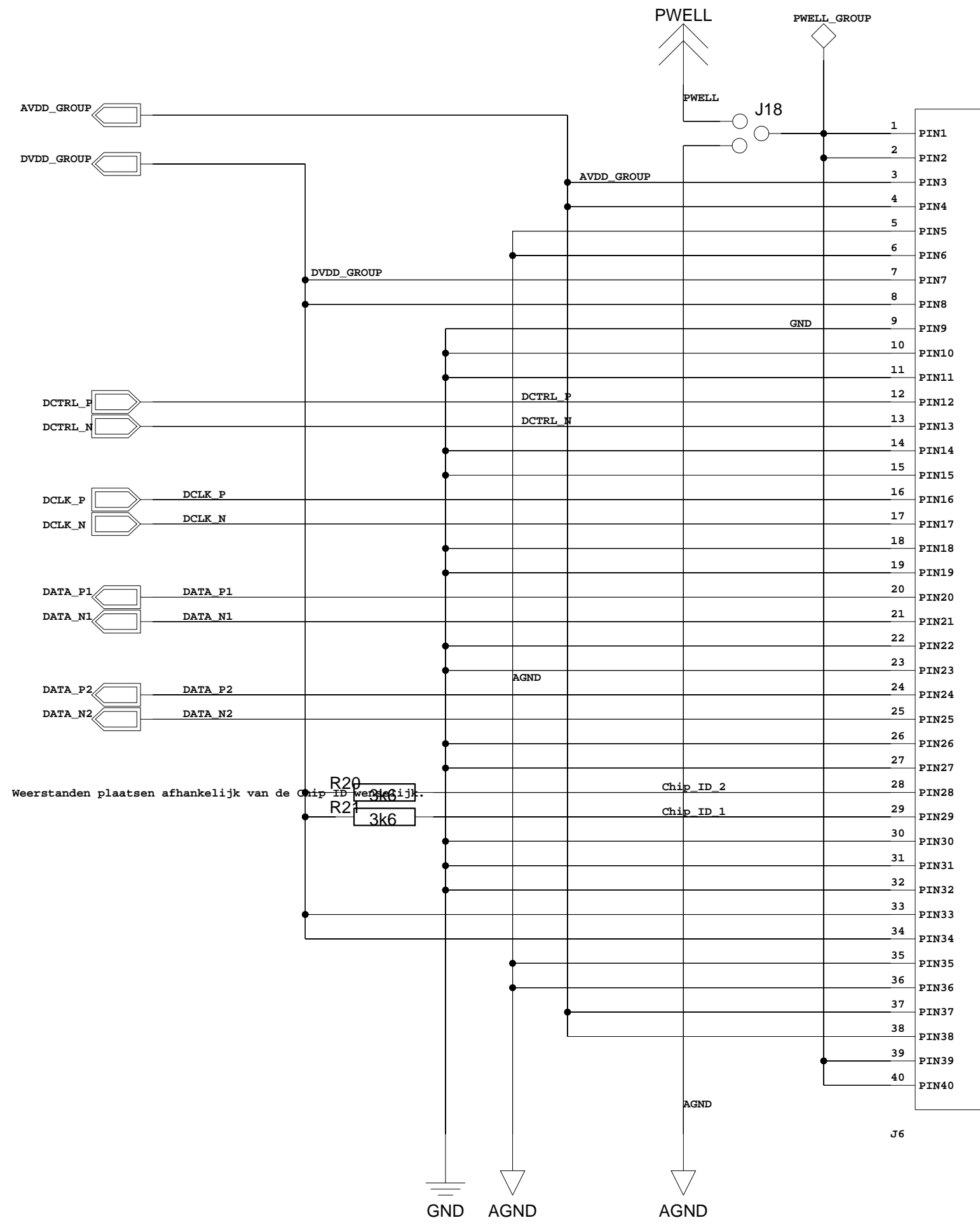


OK no.				Scientific Instrumentation	
APPROVALS					
DRAWN BY		IGF		Two_Alptide	
CHECKED				SIZE	VER
DATE		21/02/2018:15:24		C	1
TIME:				SHEET	of 1

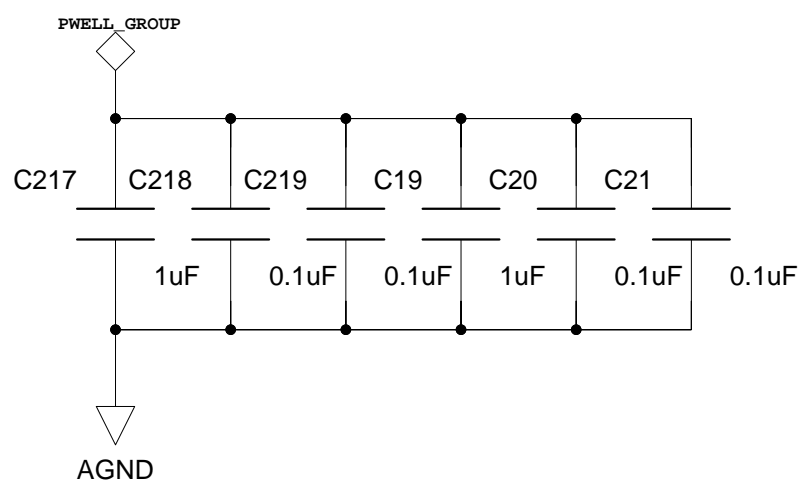
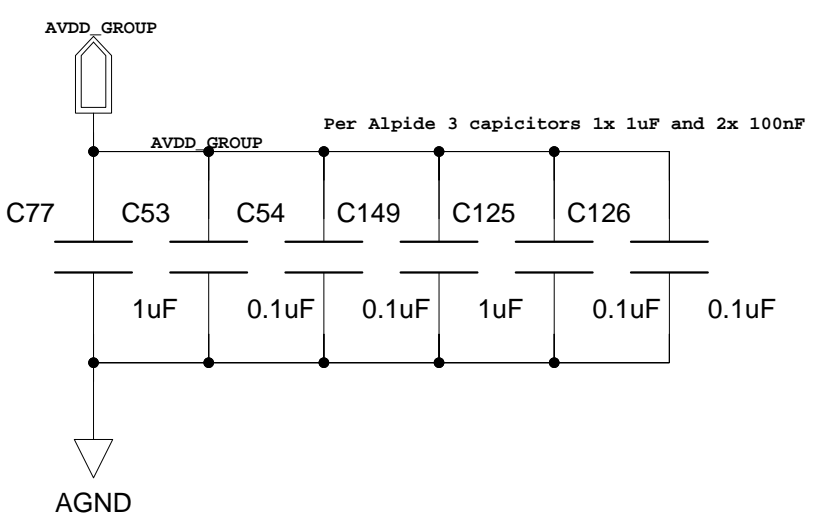
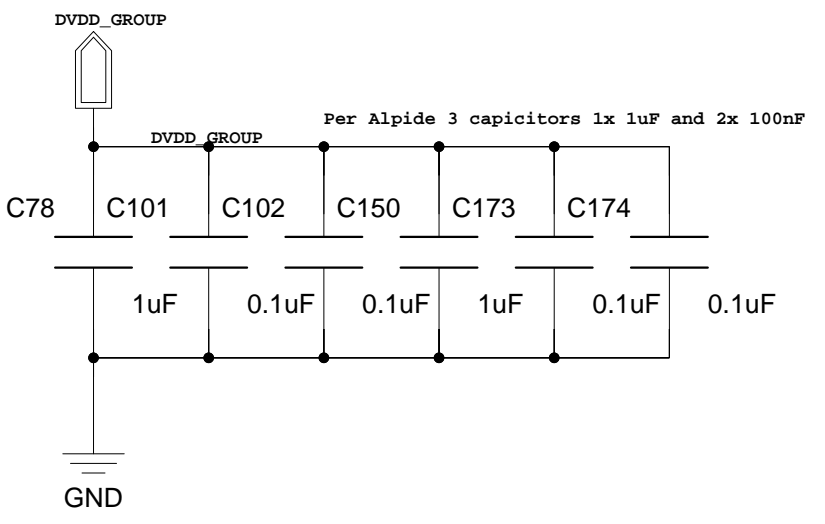


Weerstanden plaatsen afhankelijk van de Chip ID
 R22 3k6
 R23 3k6

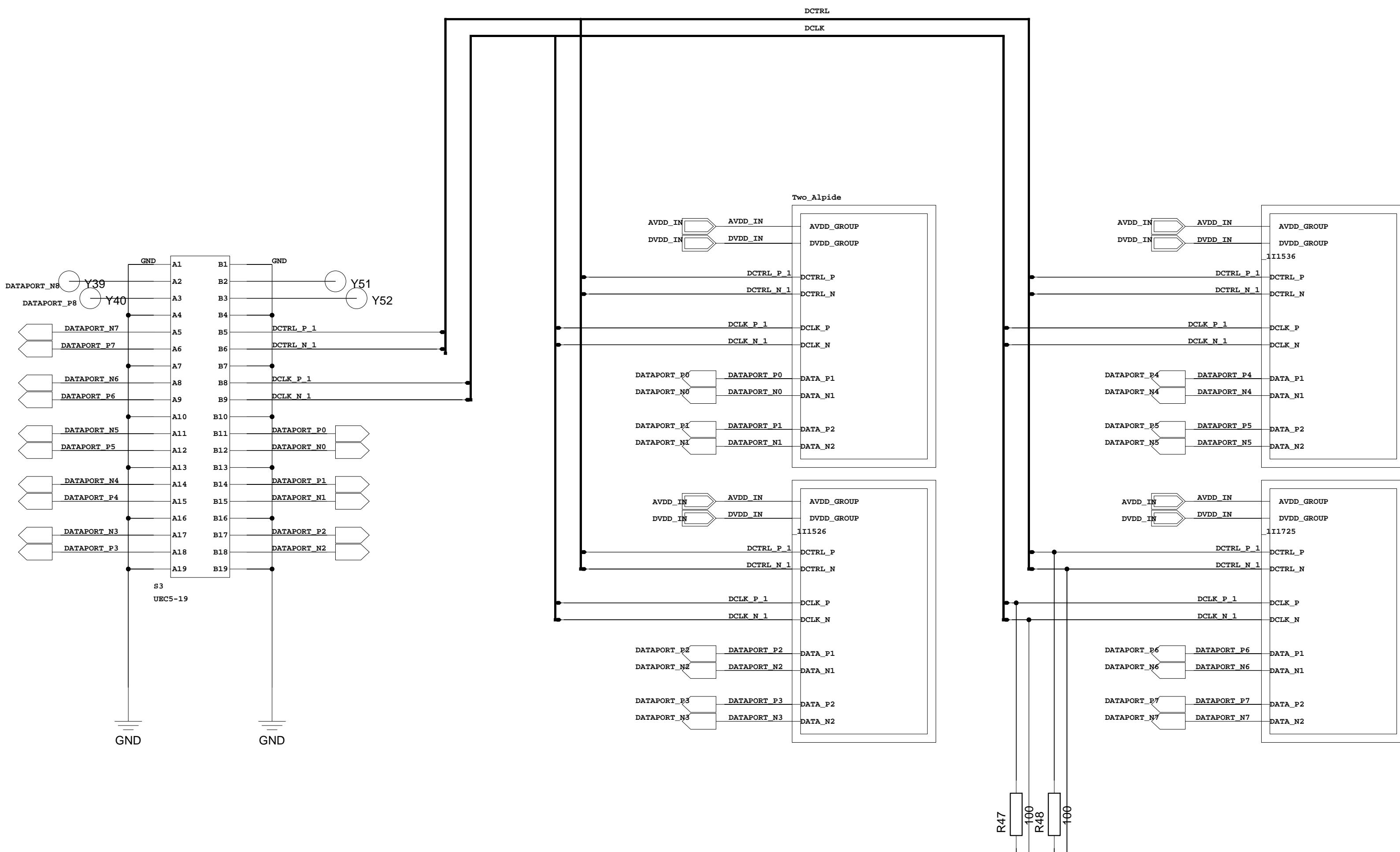
OK no.				Scientific Instrumentation			
APPROVALS				Two_Alptide			
DRAWN BY		IGF		SIZE		VER	
CHECKED				C		1	
DATE		21/02/2018:15:24				REV	
TIME:				SHEET		of 1	



Weerstanden plaatsen afhankelijk van de Chip ID per Chip ID.

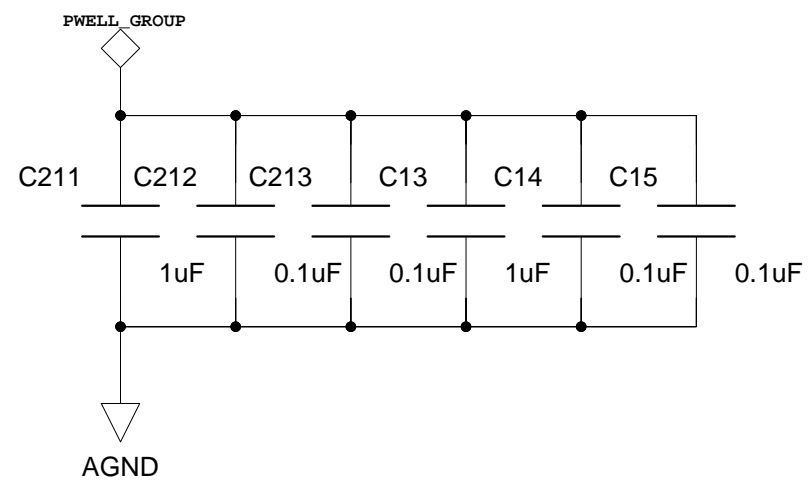
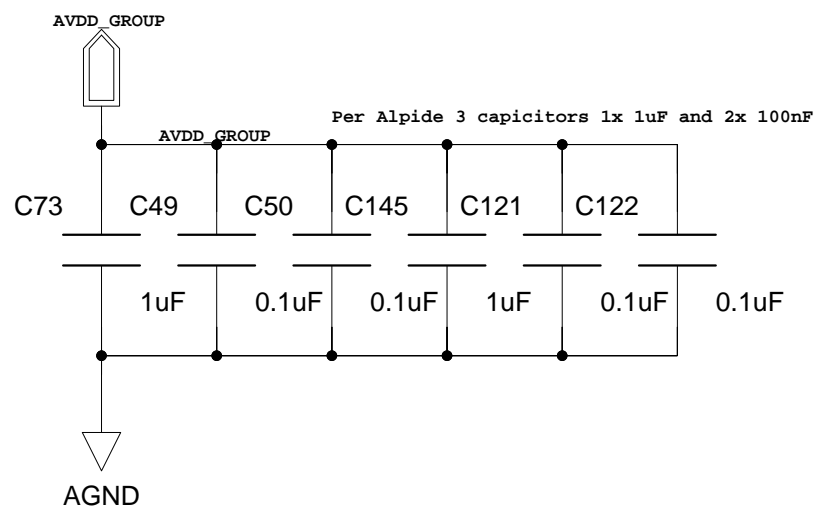
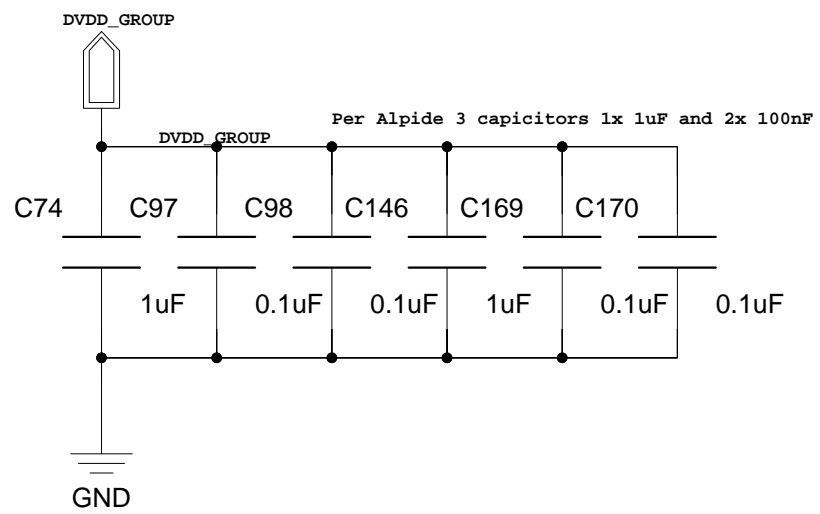
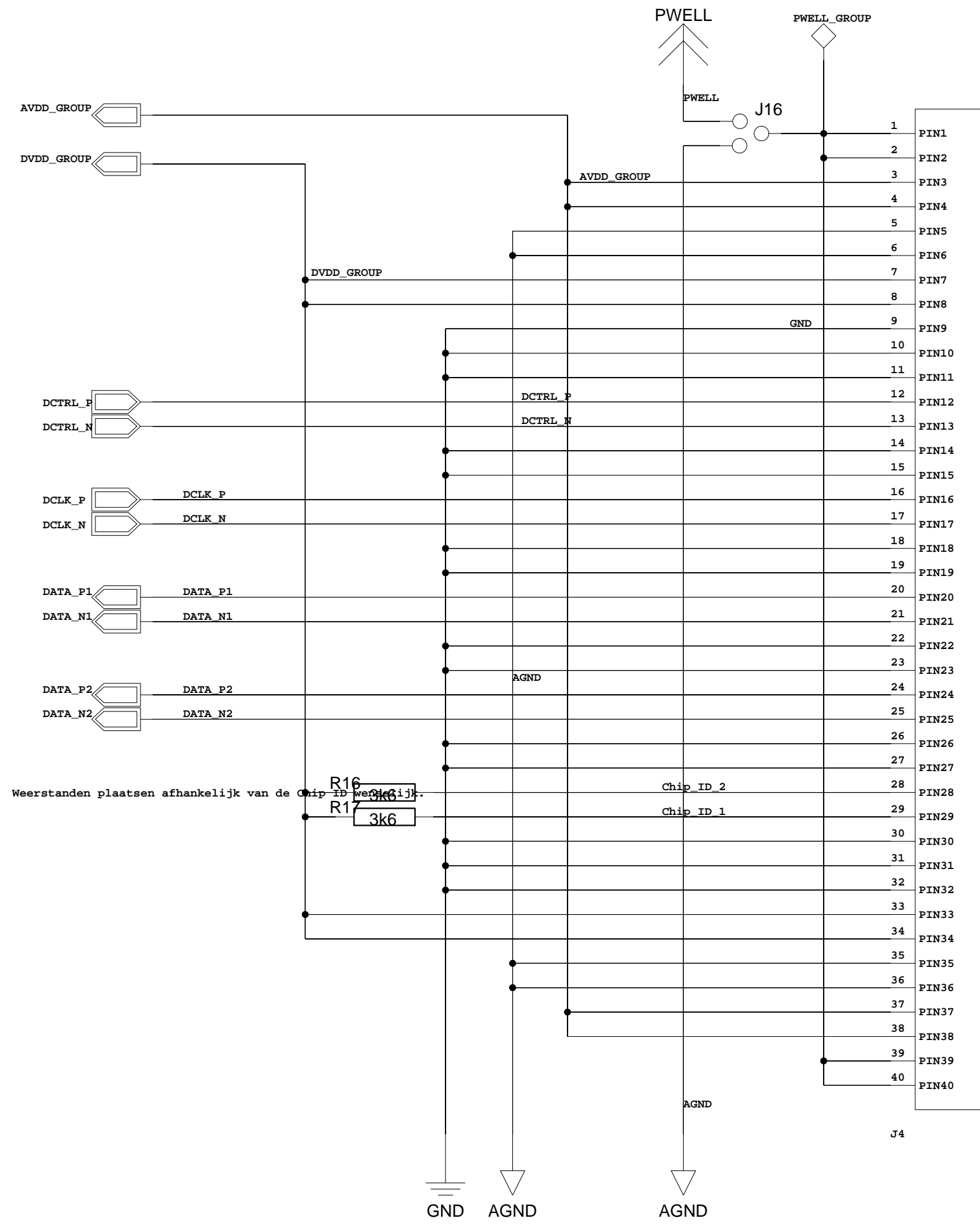


OK no.				Scientific Instrumentation	
APPROVALS					
DRAWN BY		IGF		Two_Alptide	
CHECKED				SIZE	VER
DATE		21/02/2018:15:24		C	1
TIME:				SHEET	of 1

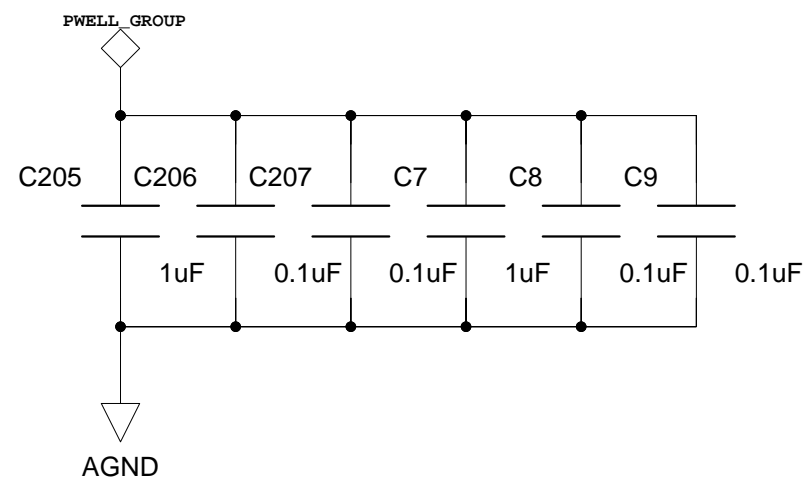
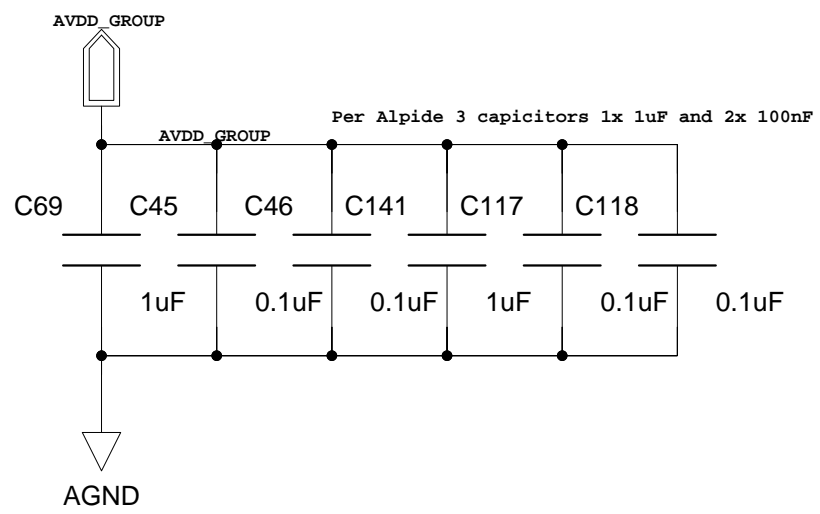
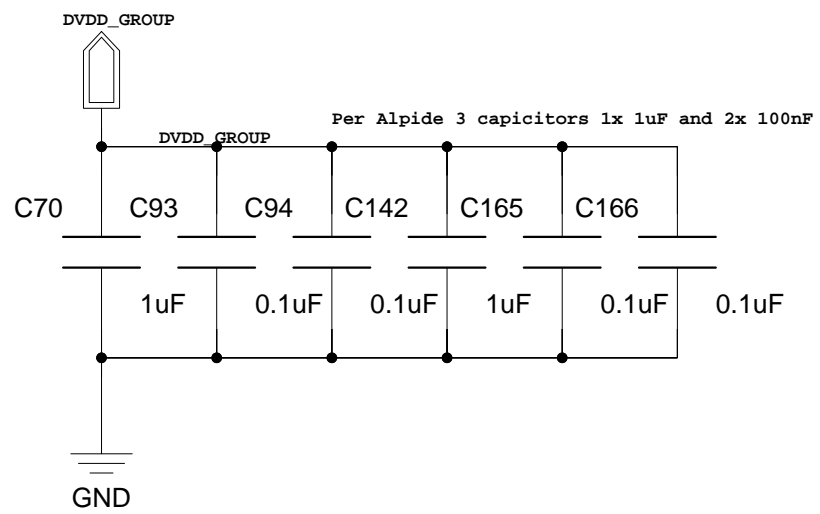
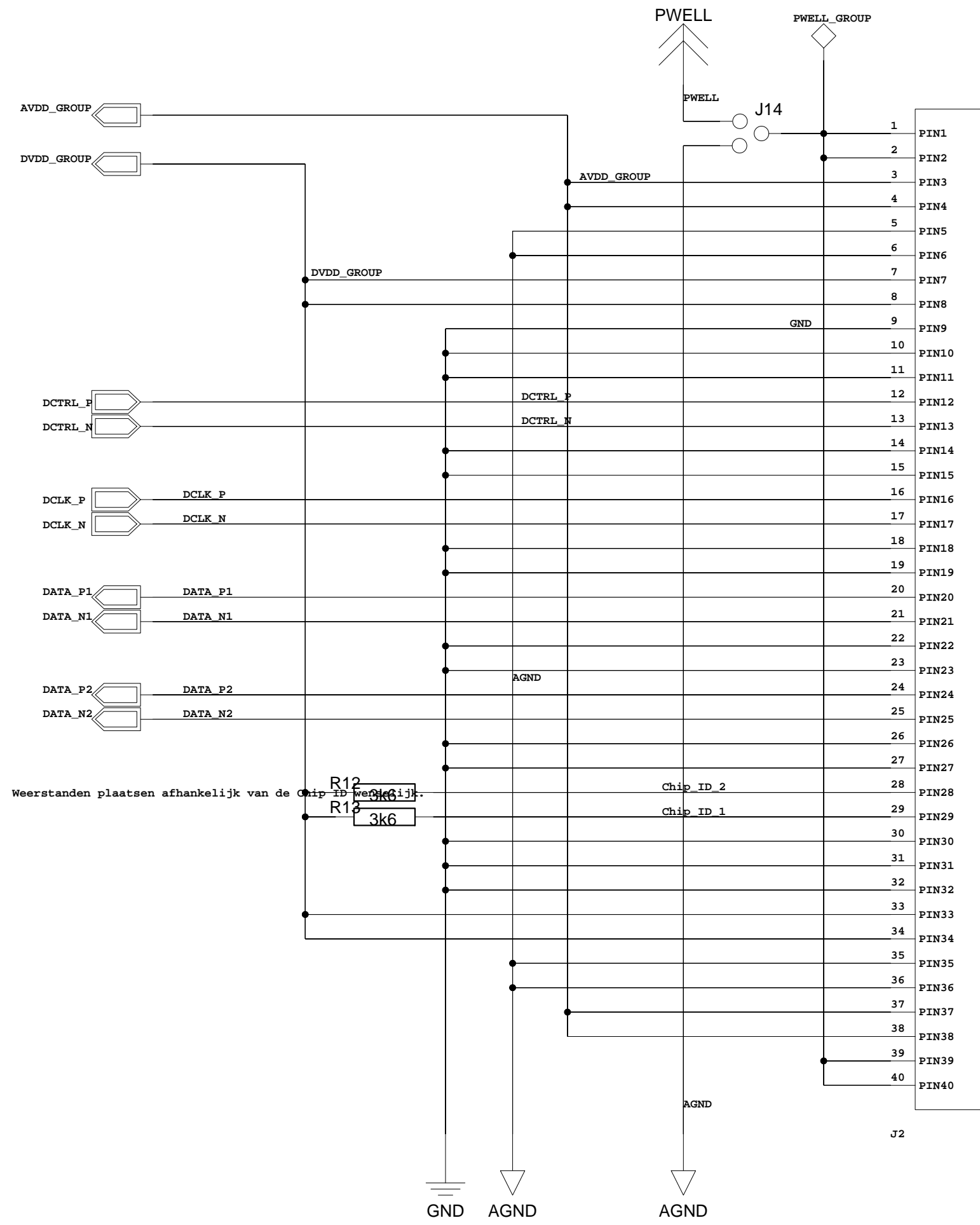


R47
100
R48
100
R49
100
R50
100

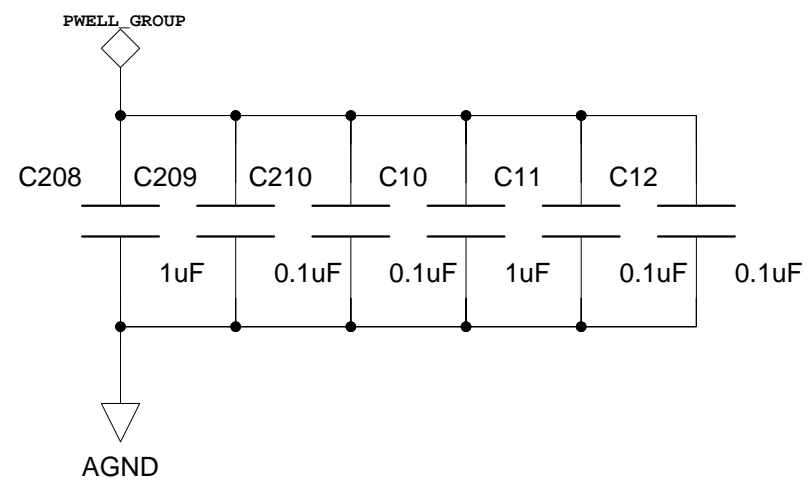
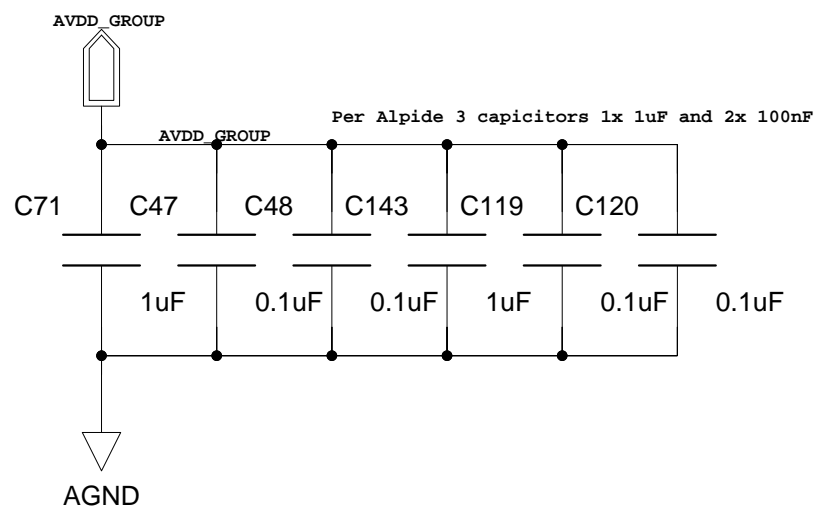
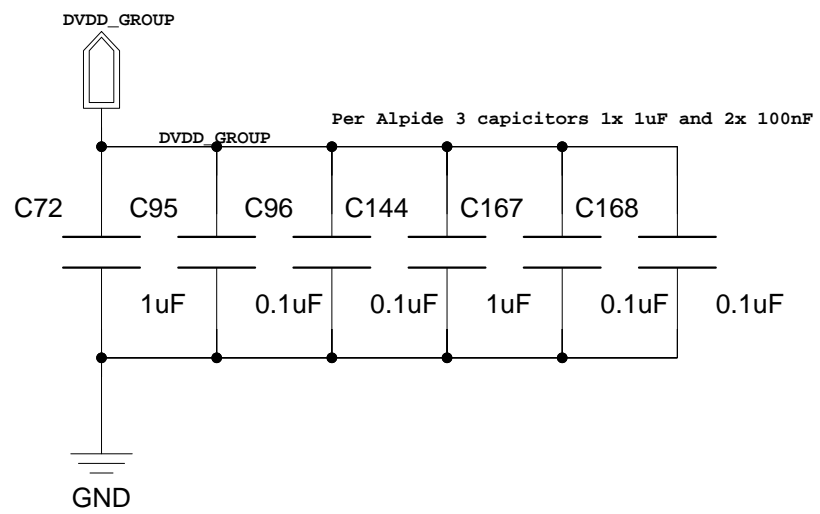
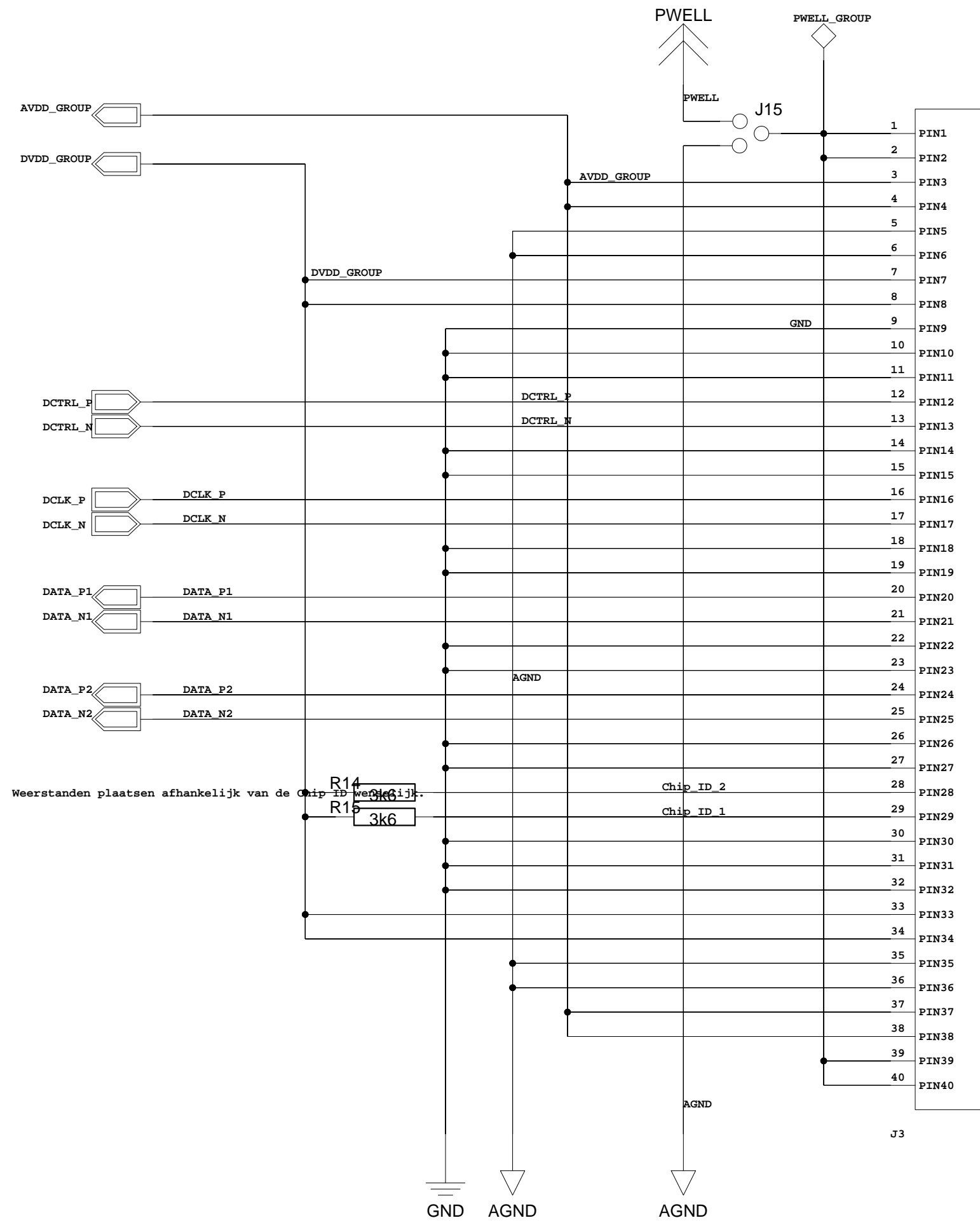
OK no.			Scientific Instrumentation			
APPROVALS			ALPIDE_group_0			
DRAWN BY		IGF		SIZE	VER	REV
CHECKED				C	1	
DATE		21/02/2018:14:30				
TIME:				SHEET	of	1



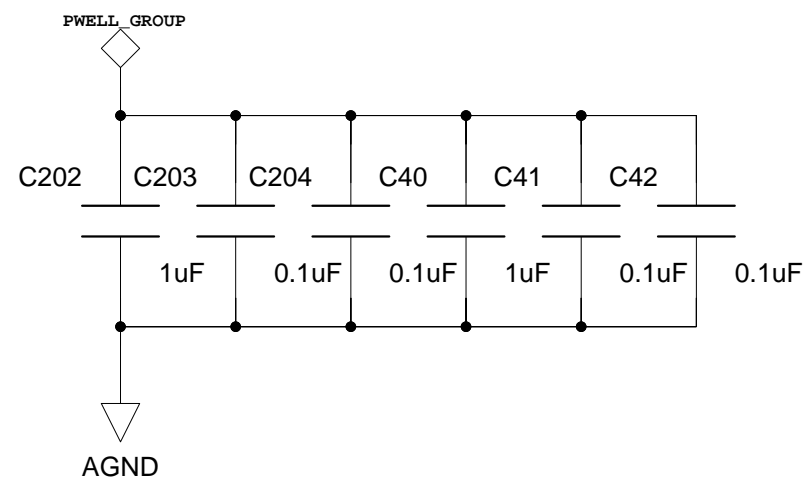
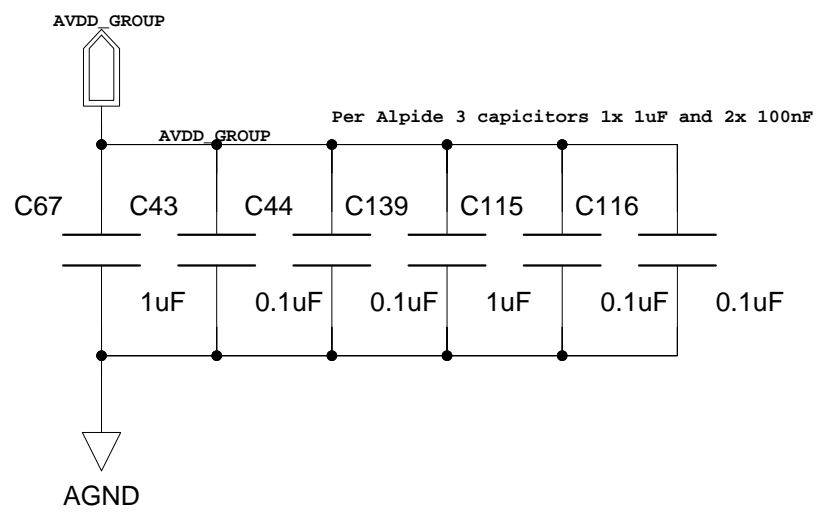
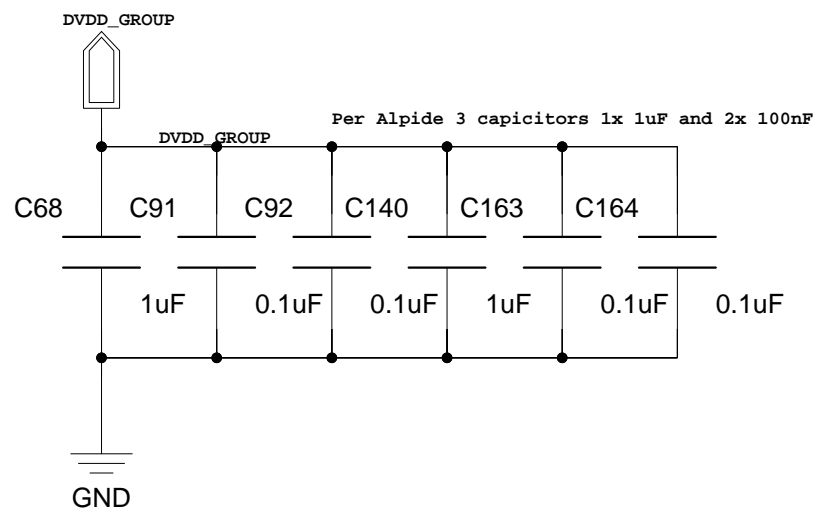
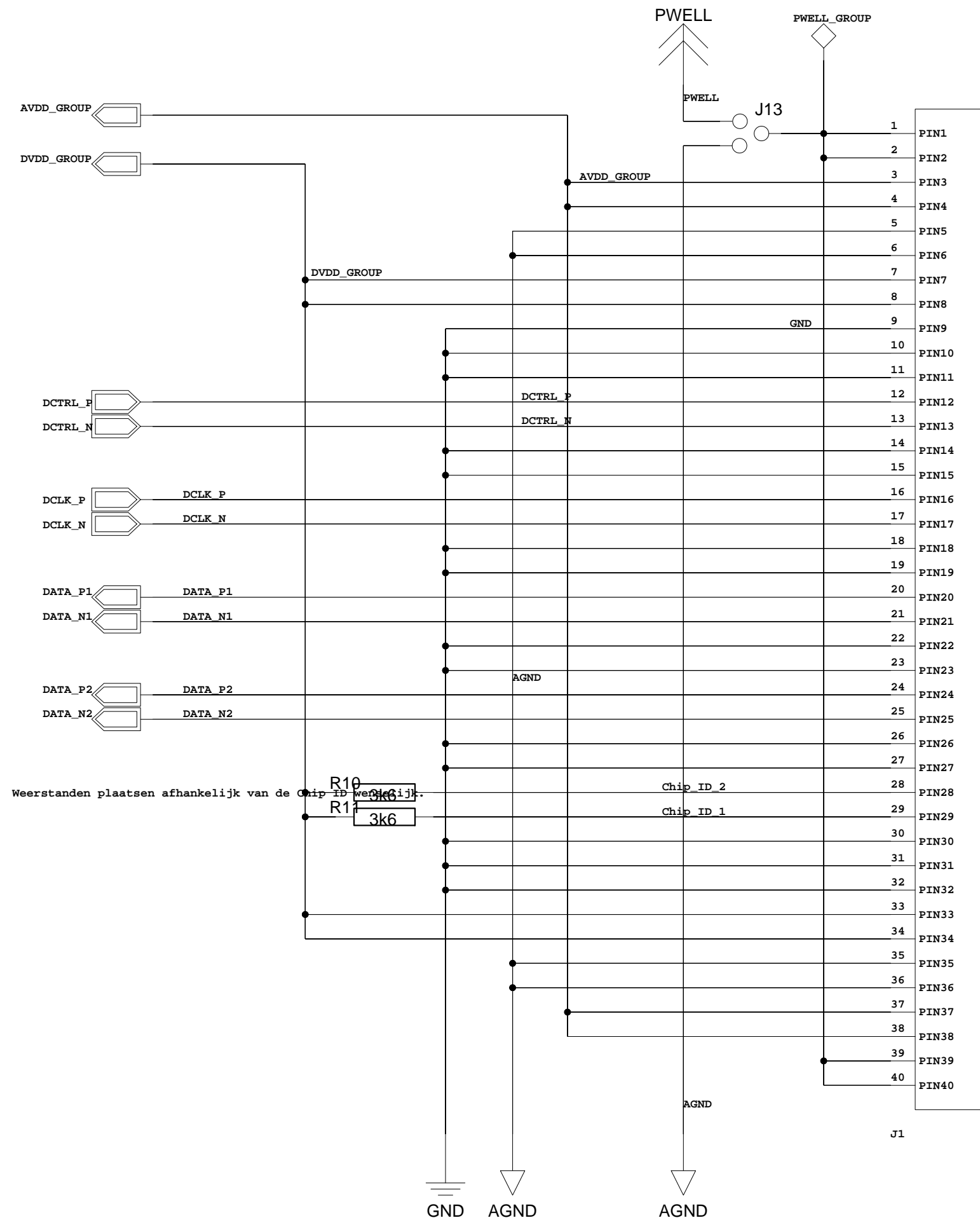
OK no.				Scientific Instrumentation	
APPROVALS					
DRAWN BY		IGF		Two_Alptide	
CHECKED				SIZE	VER
DATE		21/02/2018:15:24		C	1
TIME:				SHEET	of 1



OK no.				Scientific Instrumentation	
APPROVALS					
DRAWN BY		IGF		Two_Alptide	
CHECKED				SIZE	VER
DATE		21/02/2018:15:24		C	1
TIME:				SHEET	of 1



OK no.				Scientific Instrumentation	
APPROVALS					
DRAWN BY		IGF		Two_Alptide	
CHECKED				SIZE	VER
DATE		21/02/2018:15:24		C	1
TIME:				SHEET	of 1



OK no.				Scientific Instrumentation	
APPROVALS					
DRAWN BY		IGF		Two_Alptide	
CHECKED				SIZE	VER
DATE		21/02/2018:15:24		C	1
TIME:				SHEET	of 1