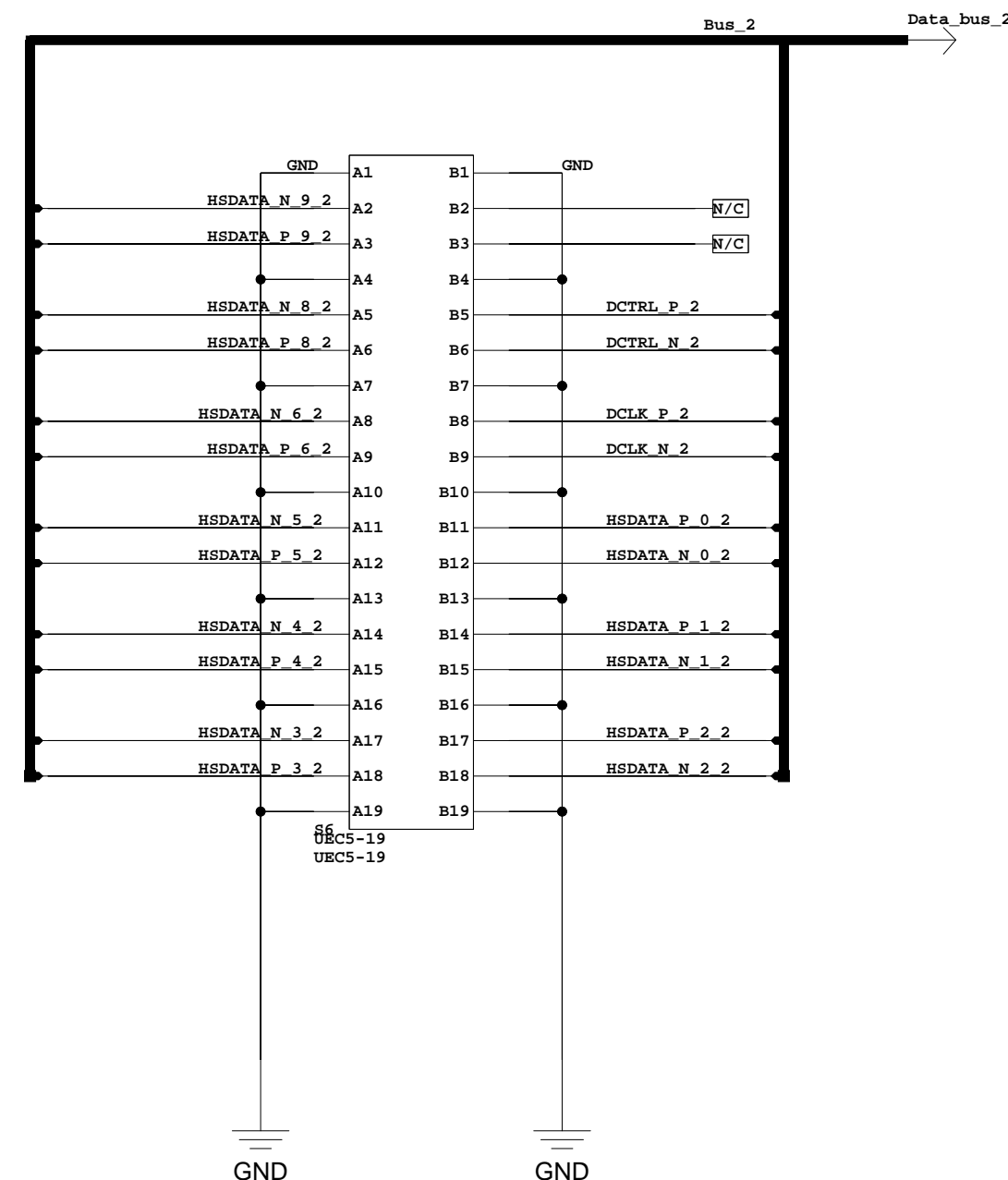
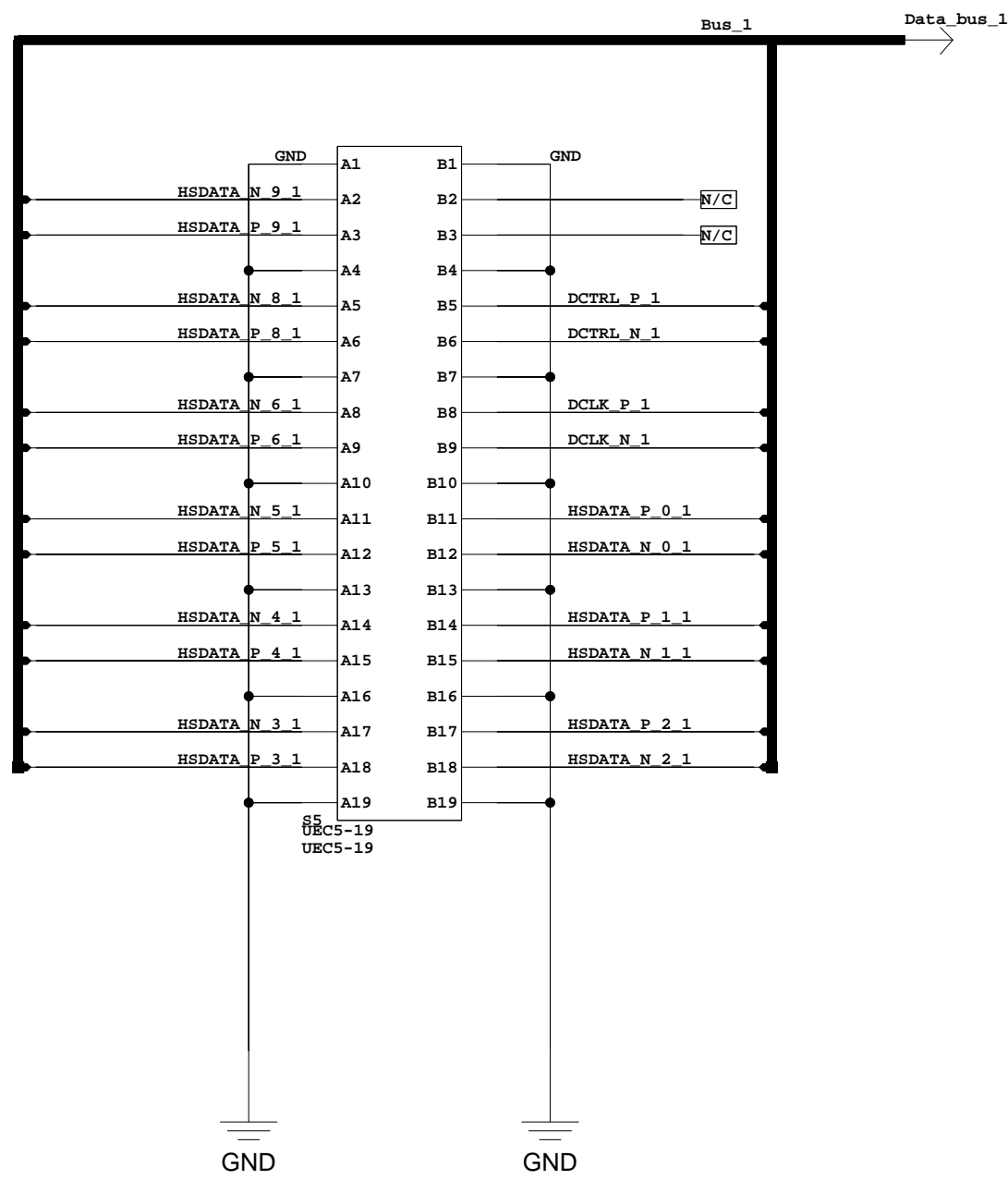
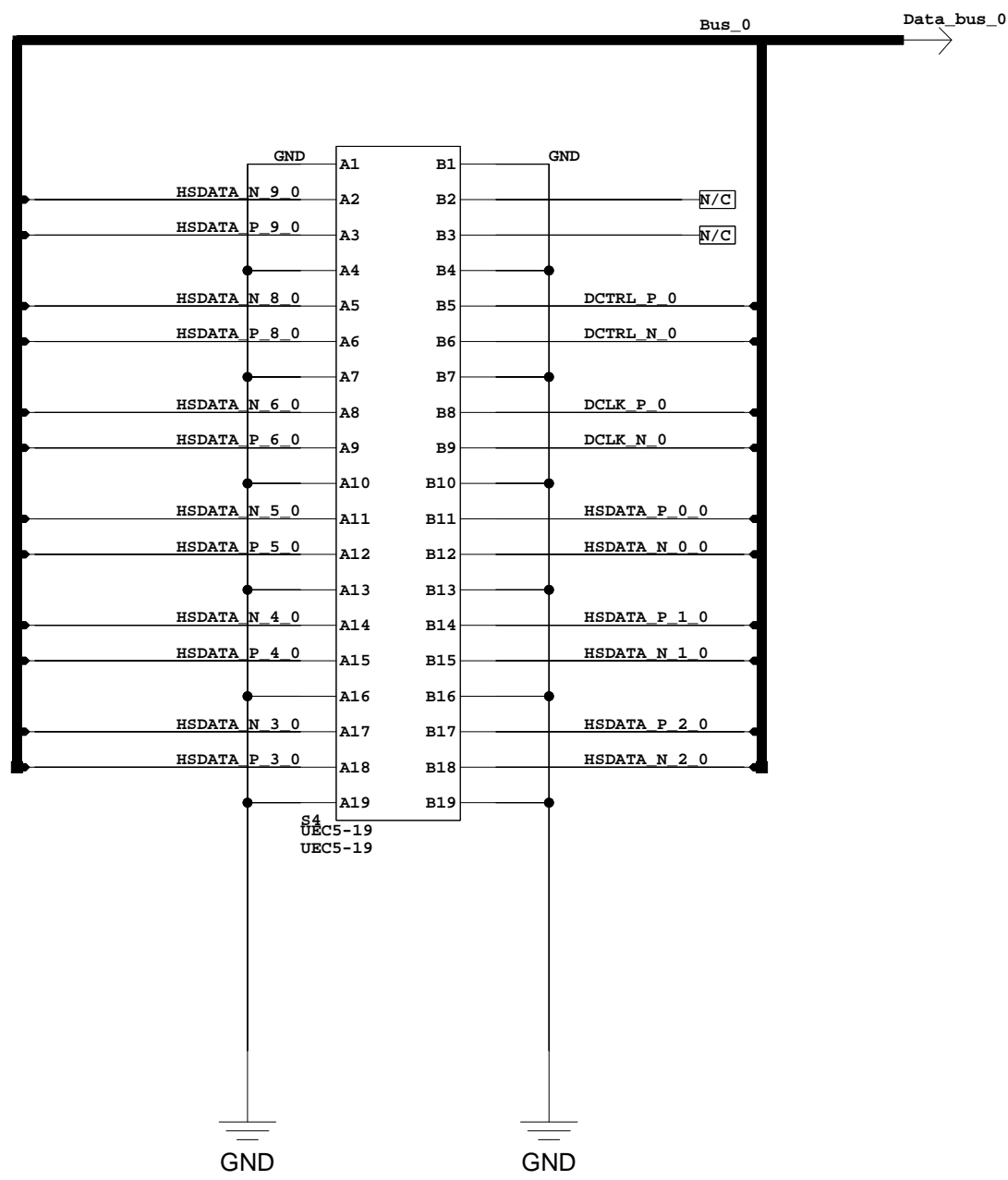
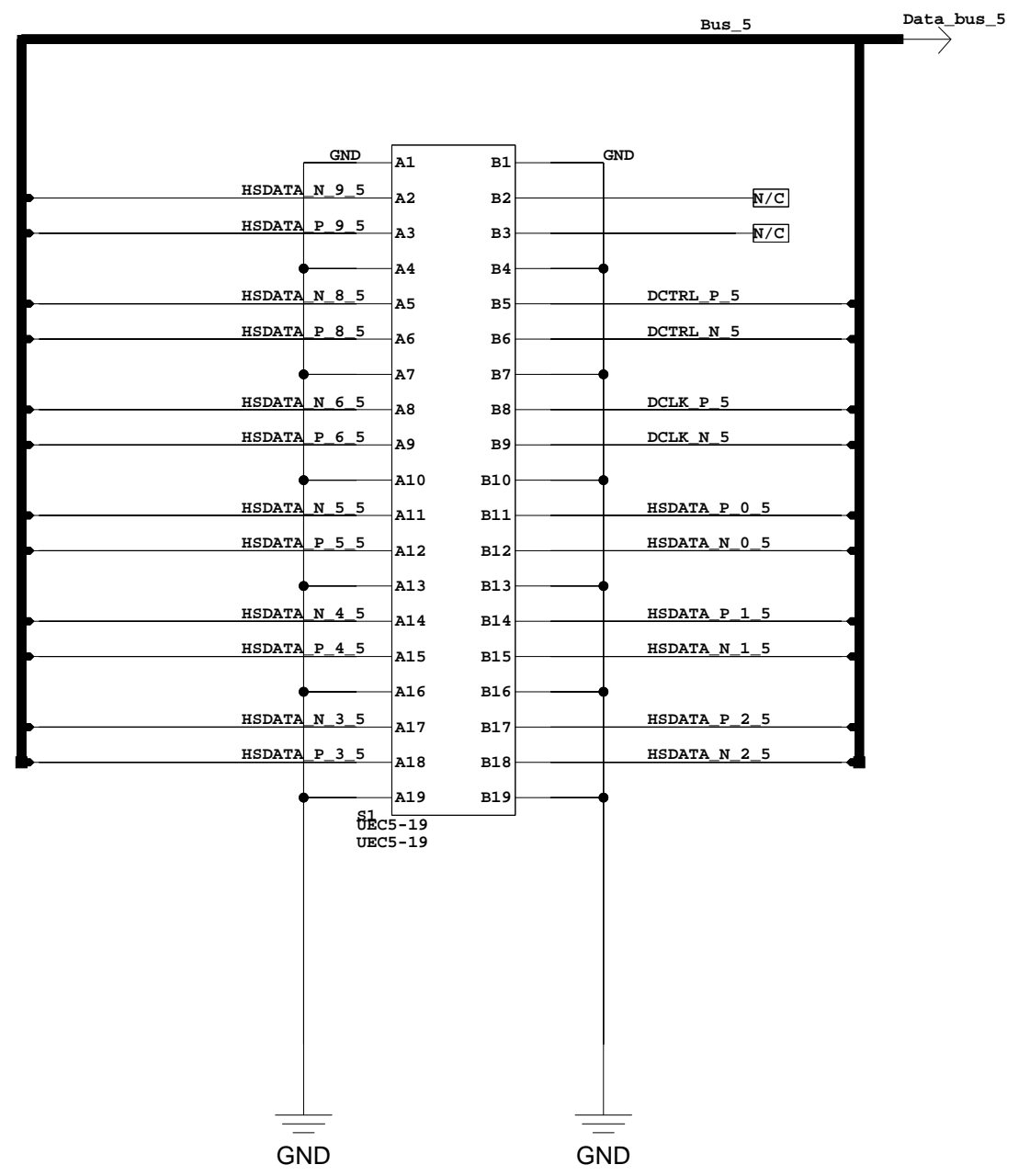
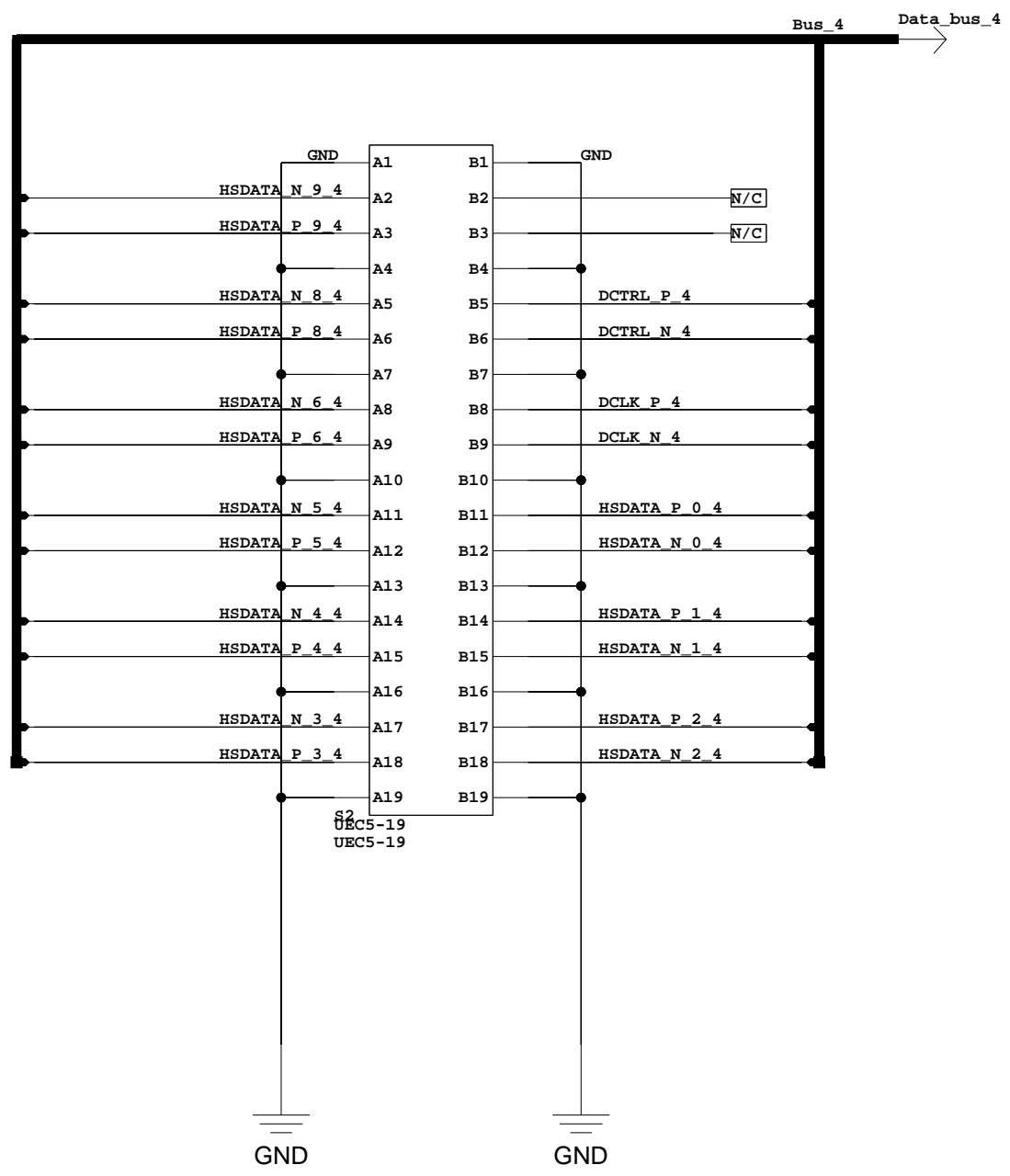
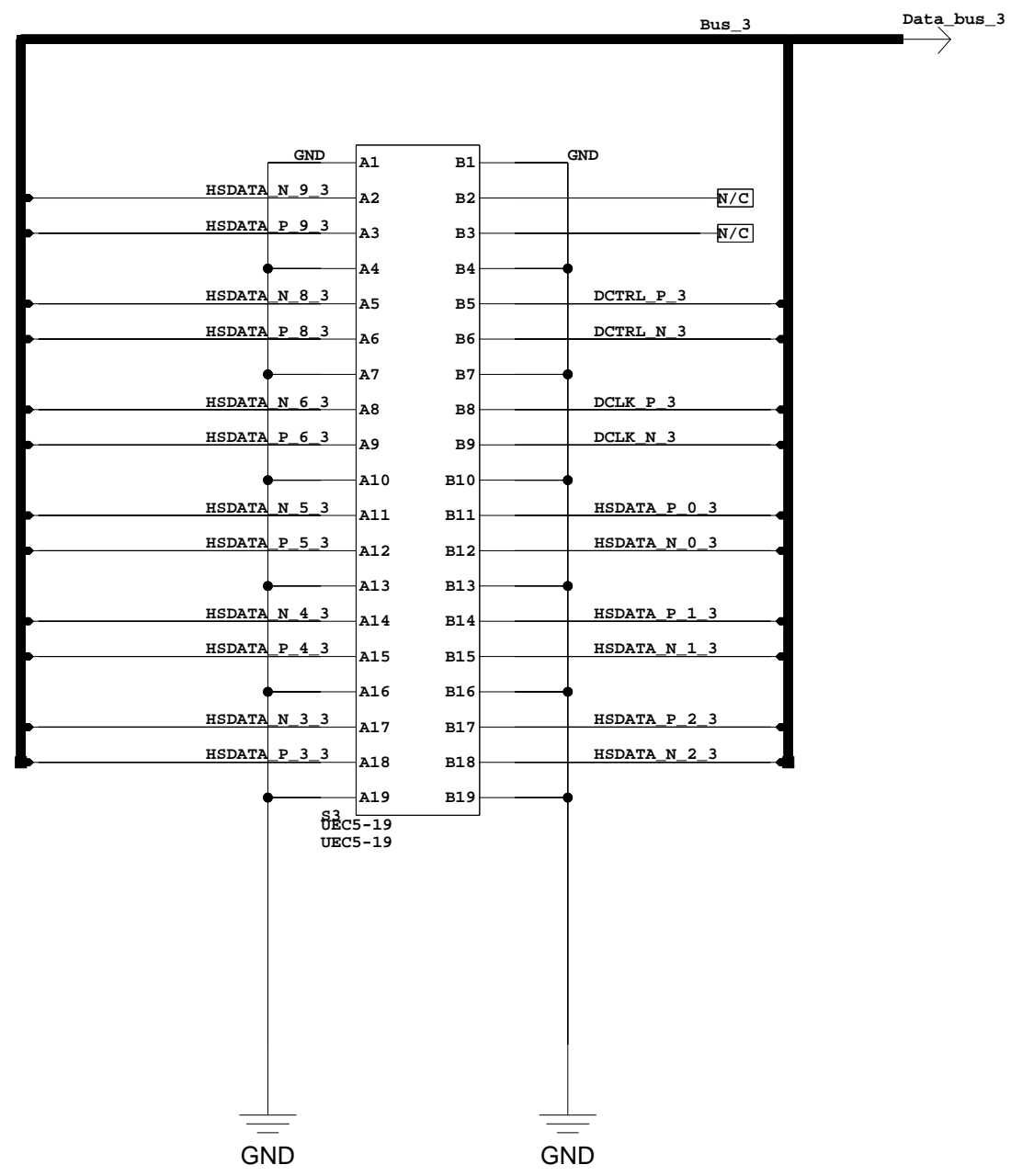




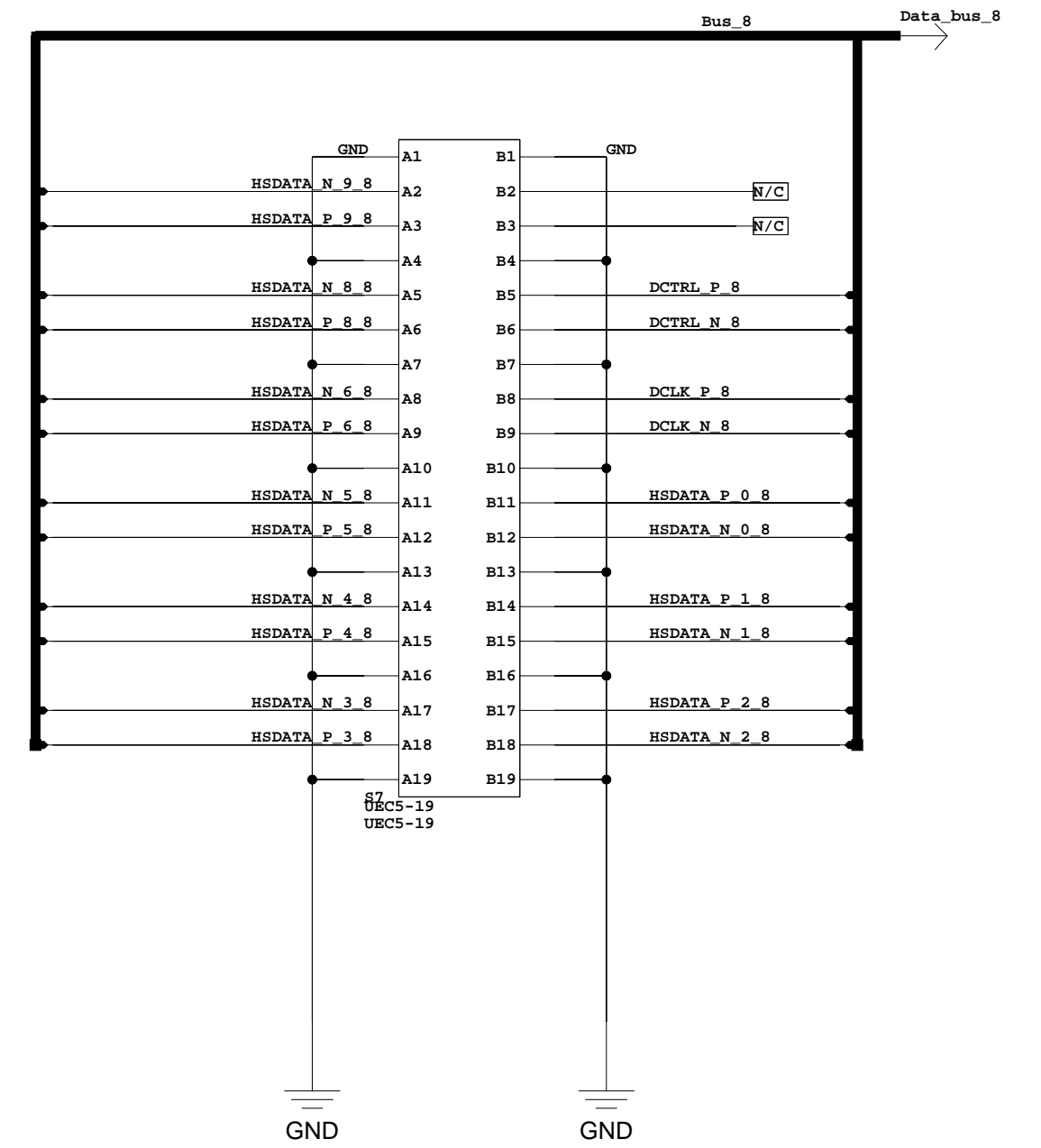
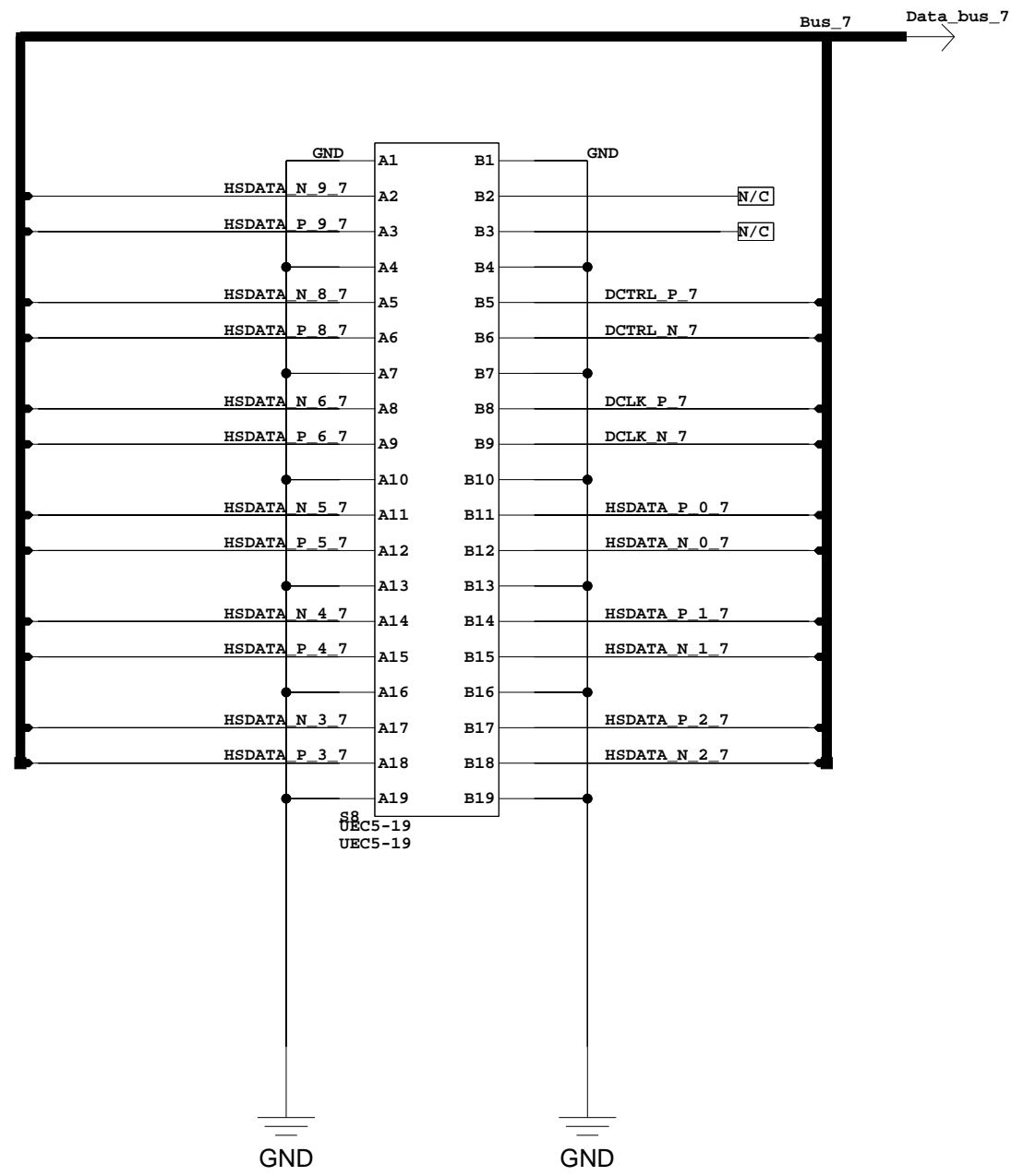
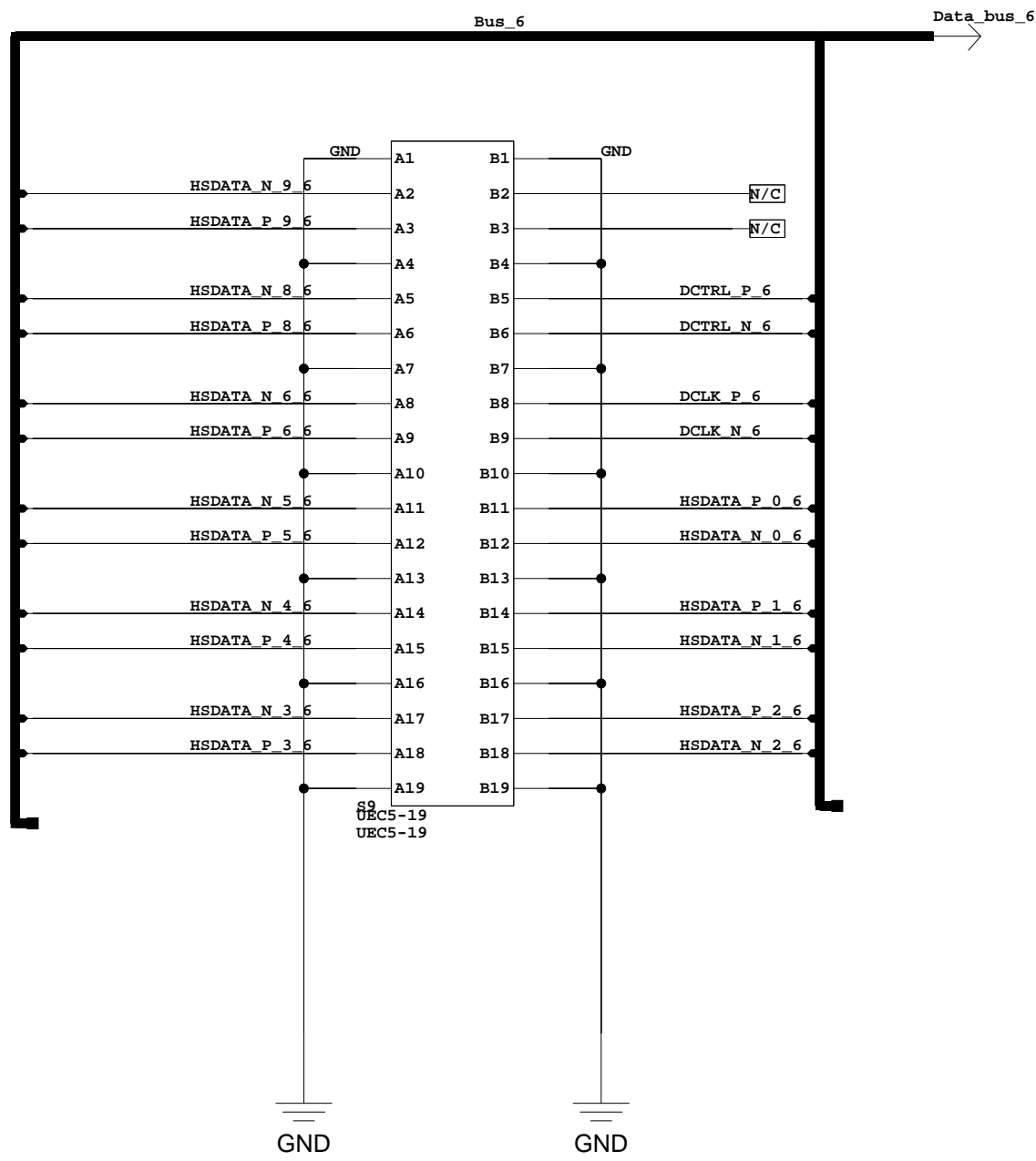
OK no.					
APPROVALS					
DRAWN BY	IGF				
CHECKED		SIZE		VER	REV
DATE		D	Schematic1		
TIME: 12/01/2020:15:02		SHEET	of 22		



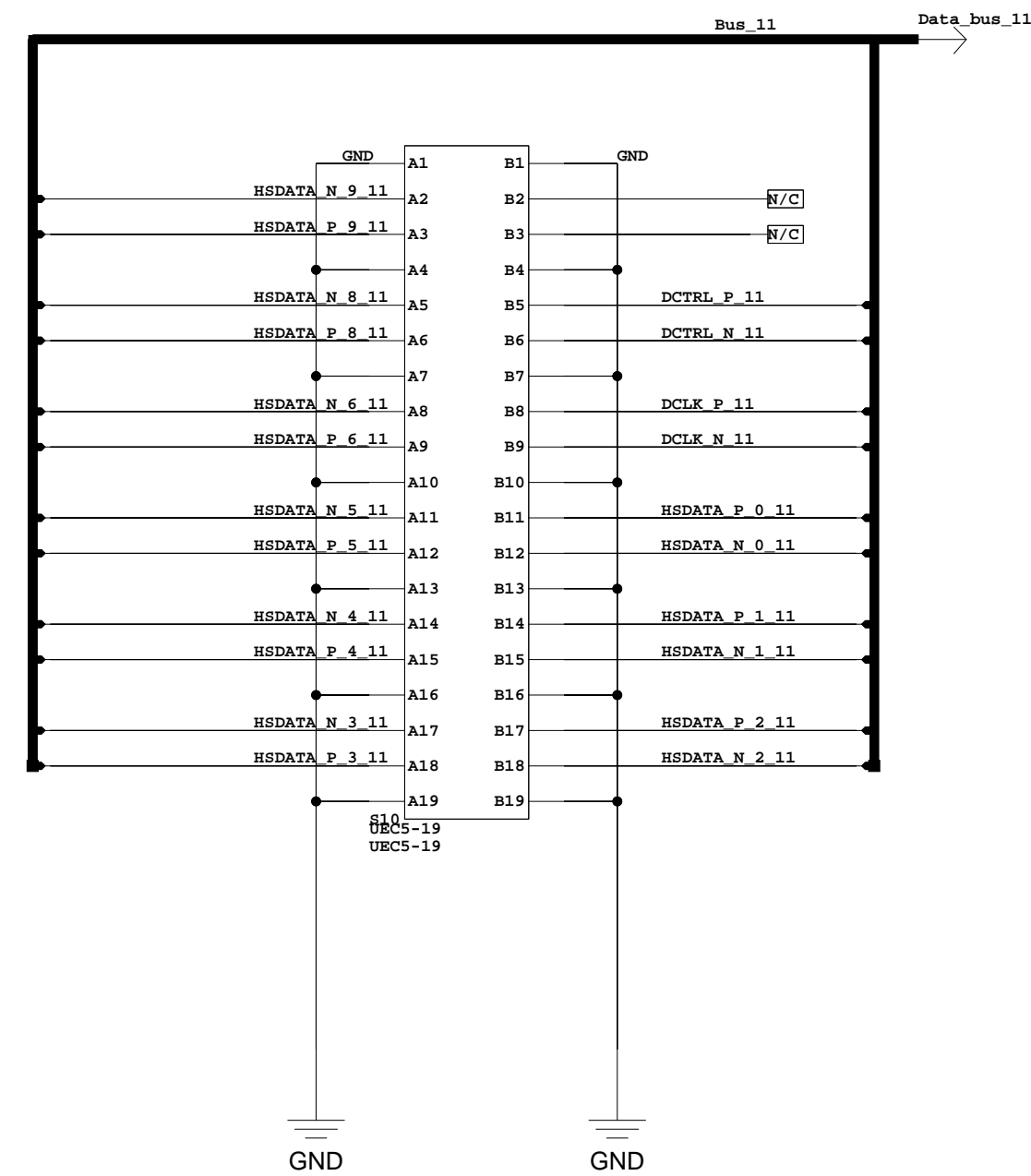
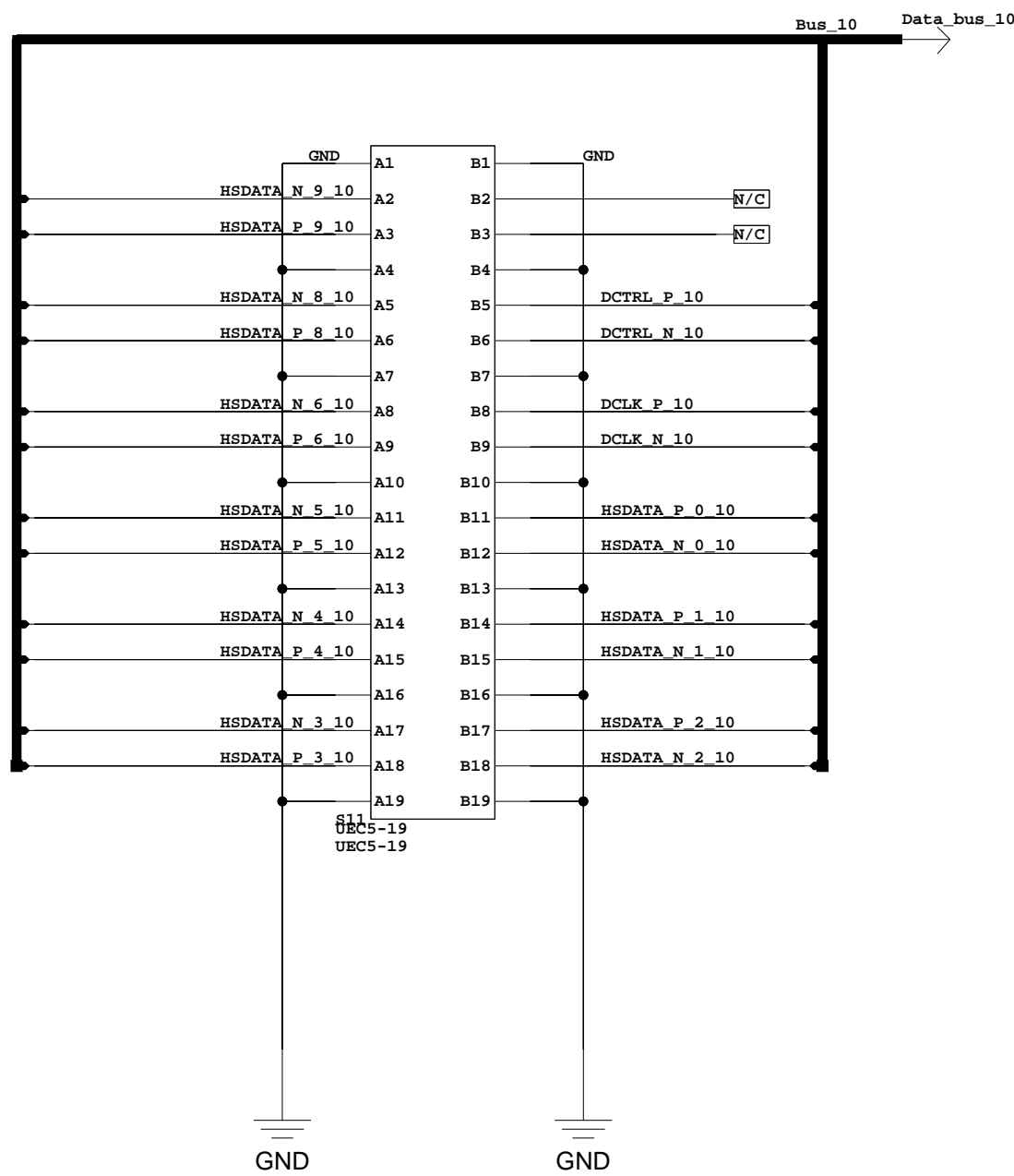
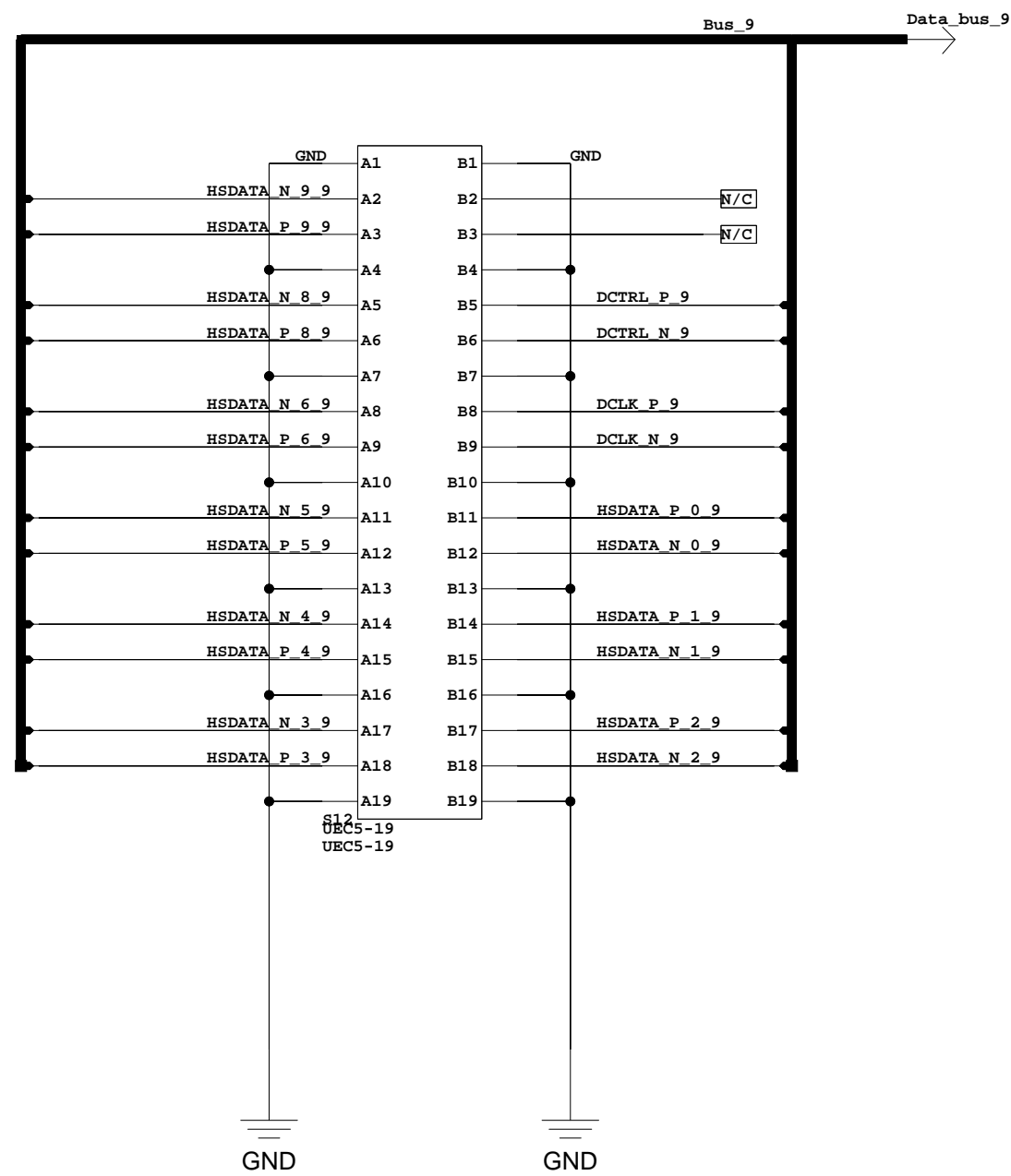
OK no.				
APPROVALS				
DRAWN BY		FireFly_0-2		
CHECKED		SIZE	VER	REV
DATE	12/01/2020:14:01	C		
TIME:		SHEET 1 of 22		



OK no.			
APPROVALS			
DRAWN BY		FireFly_3-5	
CHECKED		SIZE	VER REV
DATE	12/01/2020:14:00	C	
TIME:		SHEET 1 of 22	



OK no.				
APPROVALS				
DRAWN BY		FireFly_6-8		
CHECKED		SIZE	VER	REV
DATE	12/01/2020:13:59	C		
TIME:		SHEET	1 of 1	



OK no.				
APPROVALS				
DRAWN BY		FireFly_9-11		
CHECKED		SIZE	VER	REV
DATE	12/01/2020:13:59	C		
TIME:		SHEET	1 of 1	

4

3

2

1

D

D

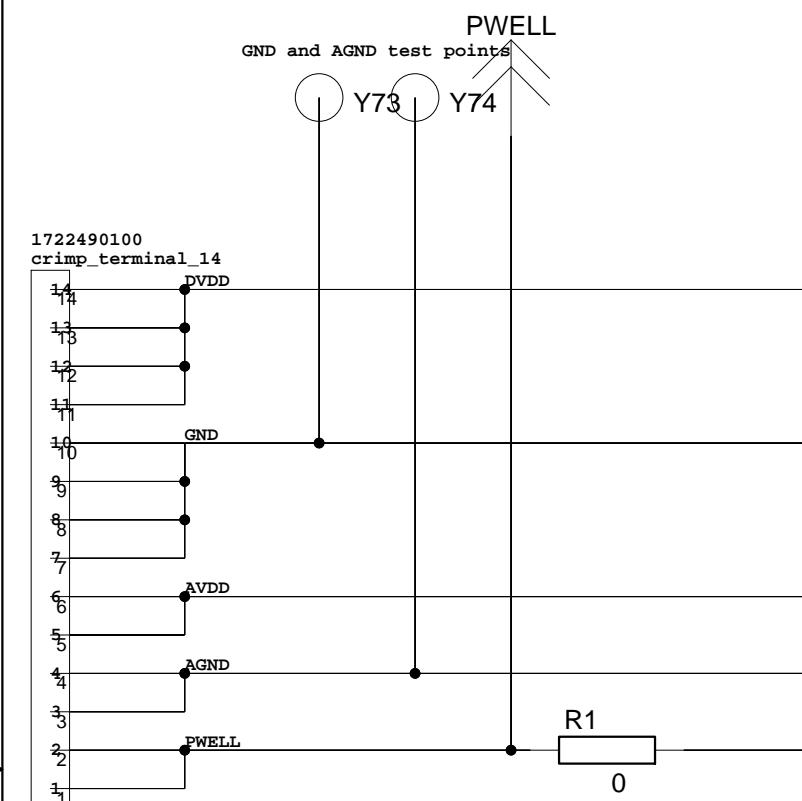
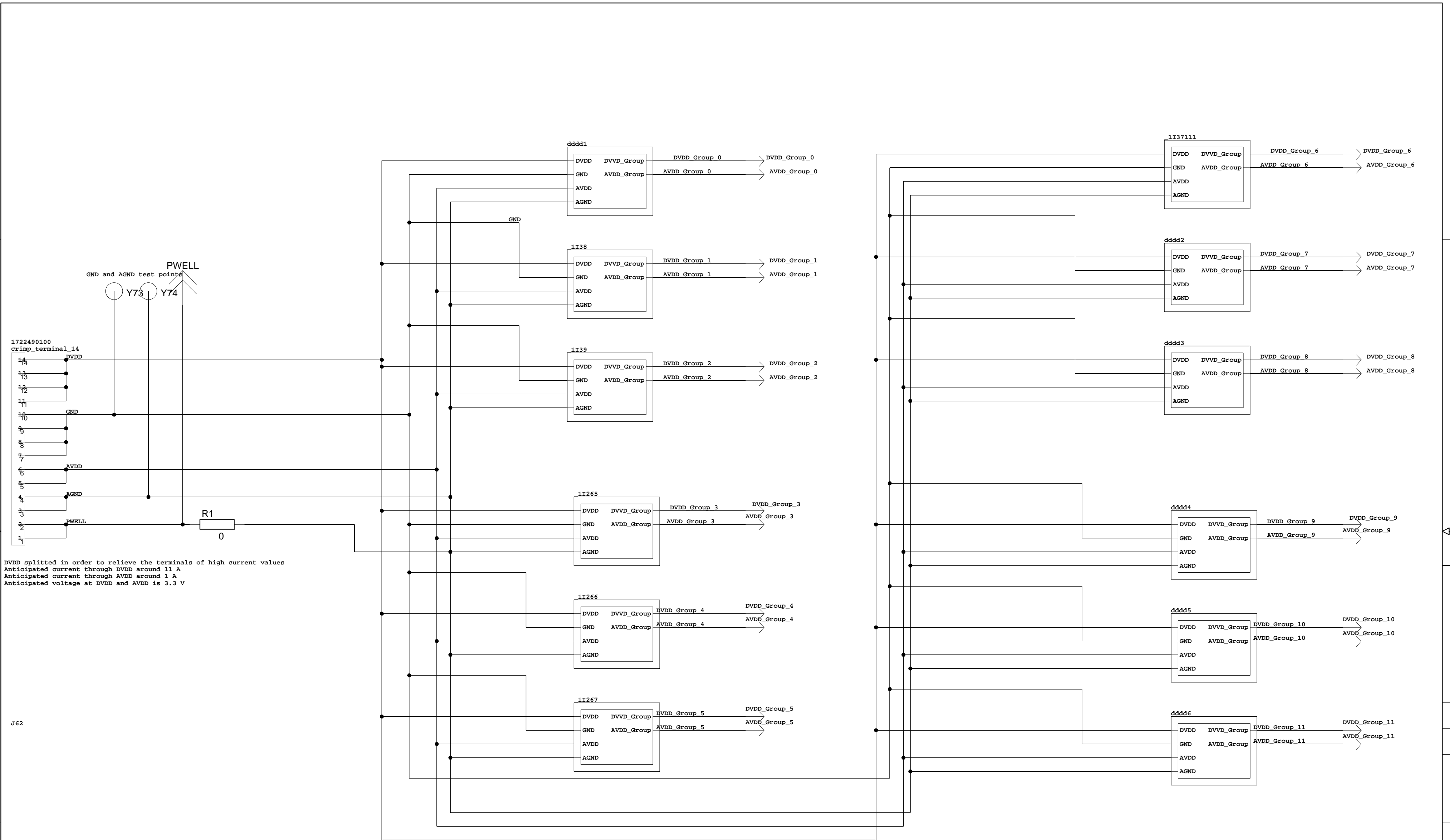
C

C

B

A

A



DVDD splitted in order to relieve the terminals of high current values
 Anticipated current through DVDD around 11 A
 Anticipated current through AVDD around 1 A
 Anticipated voltage at DVDD and AVDD is 3.3 V

J62

4

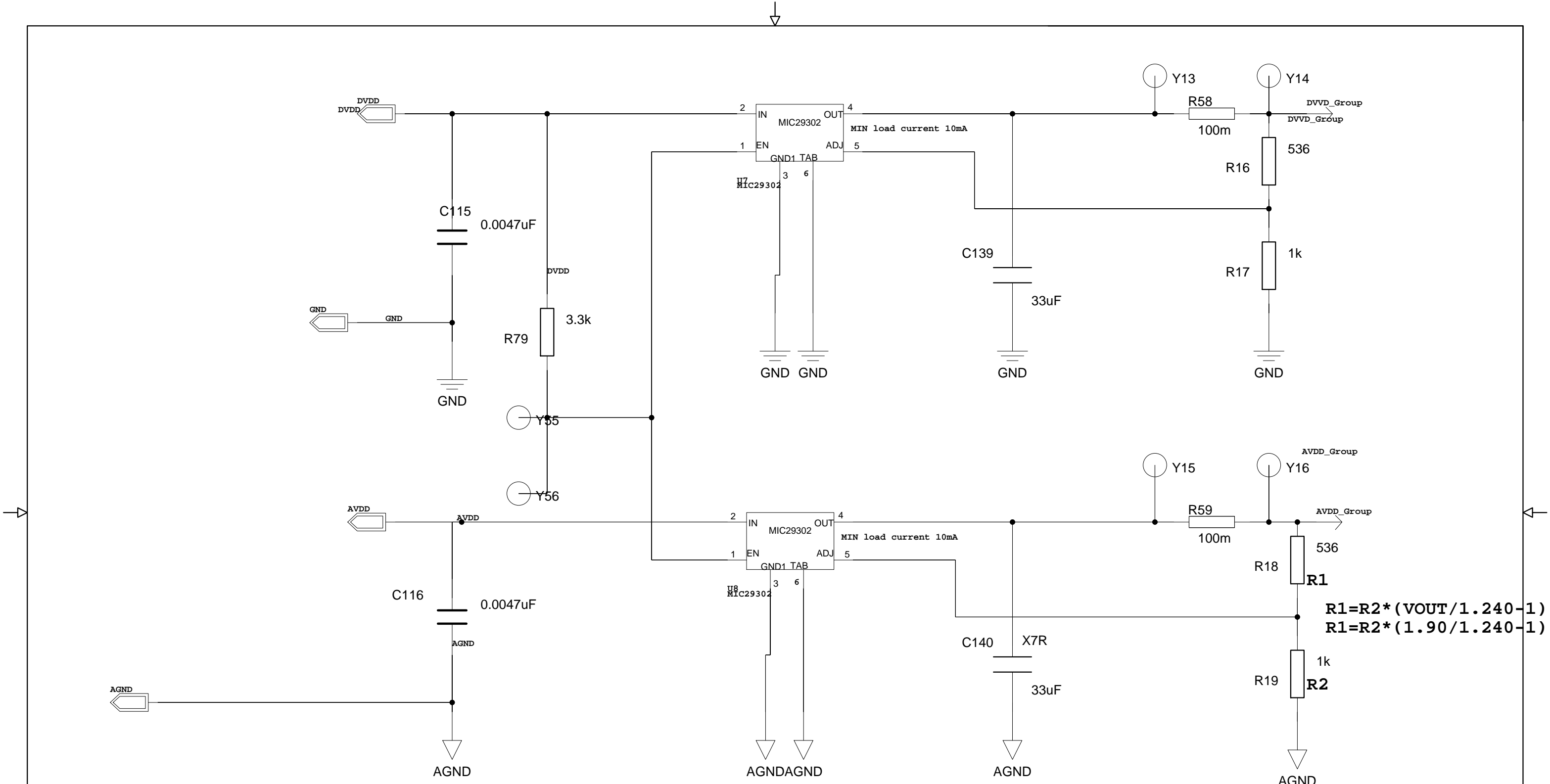
3

2

1

OK no.				
APPROVALS				
DRAWN BY		POWER		
CHECKED		SIZE	VER	REV
DATE	12/01/2020:13:51	C		
TIME:		SHEET	1 of 22	

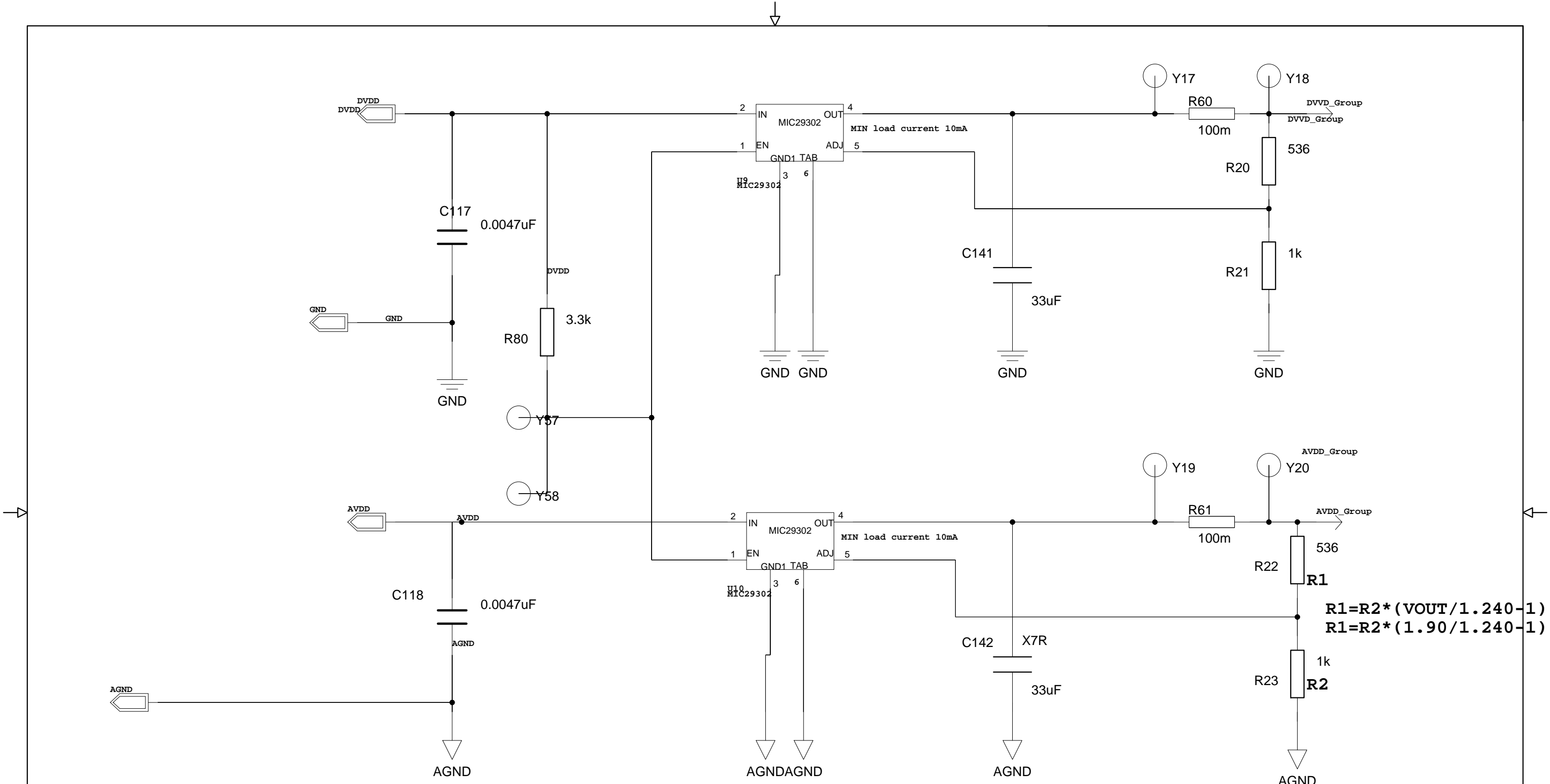
DWG. NO.
 SH.
 REV.



$$R1 = R2 * (VOUT / 1.240 - 1)$$

$$R1 = R2 * (1.90 / 1.240 - 1)$$

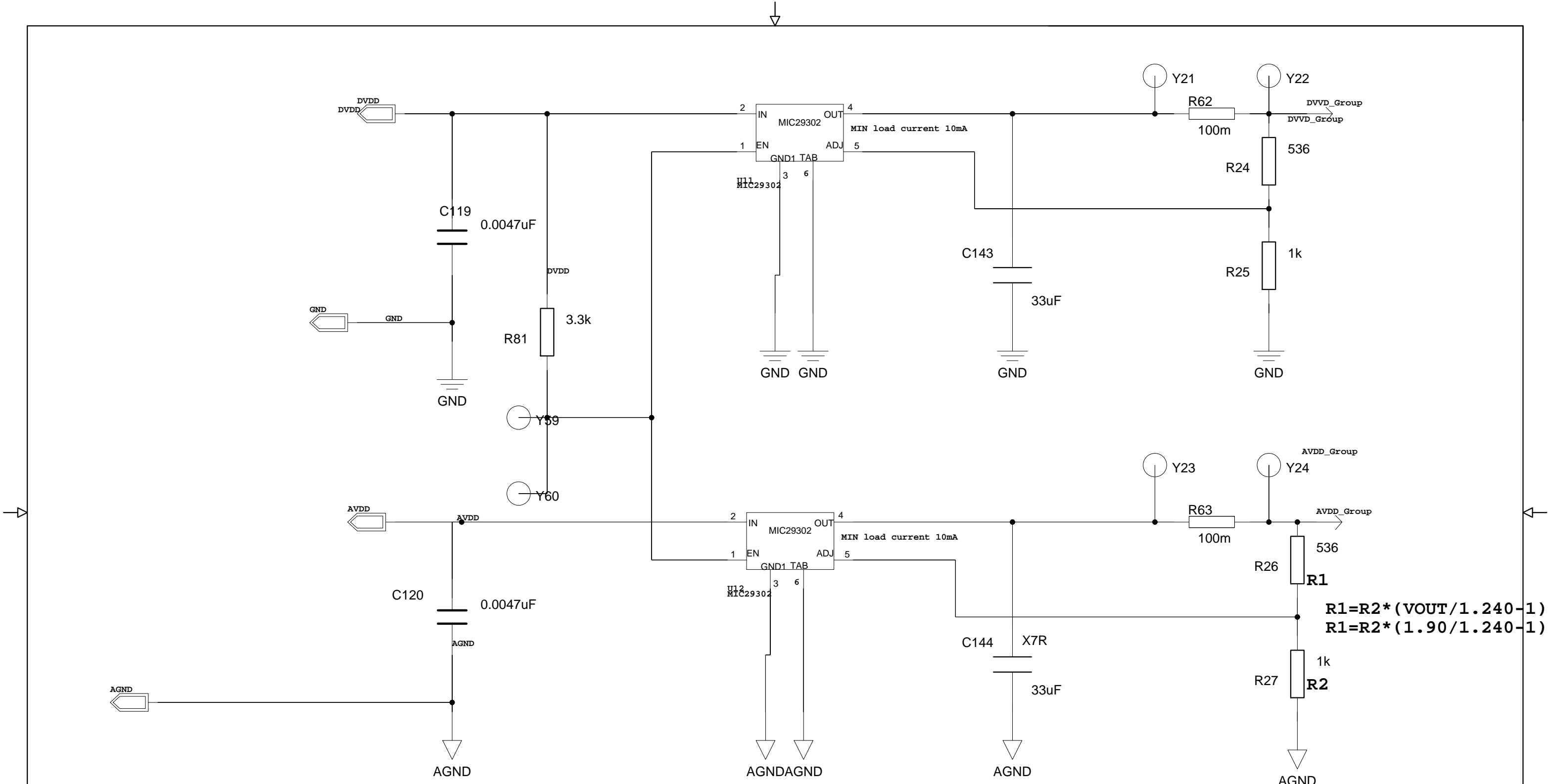
OK no.					
APPROVALS					
DRAWN BY				Voltage_regulator	
CHECKED					
DATE		SIZE	VER		REV
TIME: 12/01/2020:13:45		B			
		SHEET 1 of 22			



$$R1 = R2 * (V_{OUT} / 1.240 - 1)$$

$$R1 = R2 * (1.90 / 1.240 - 1)$$

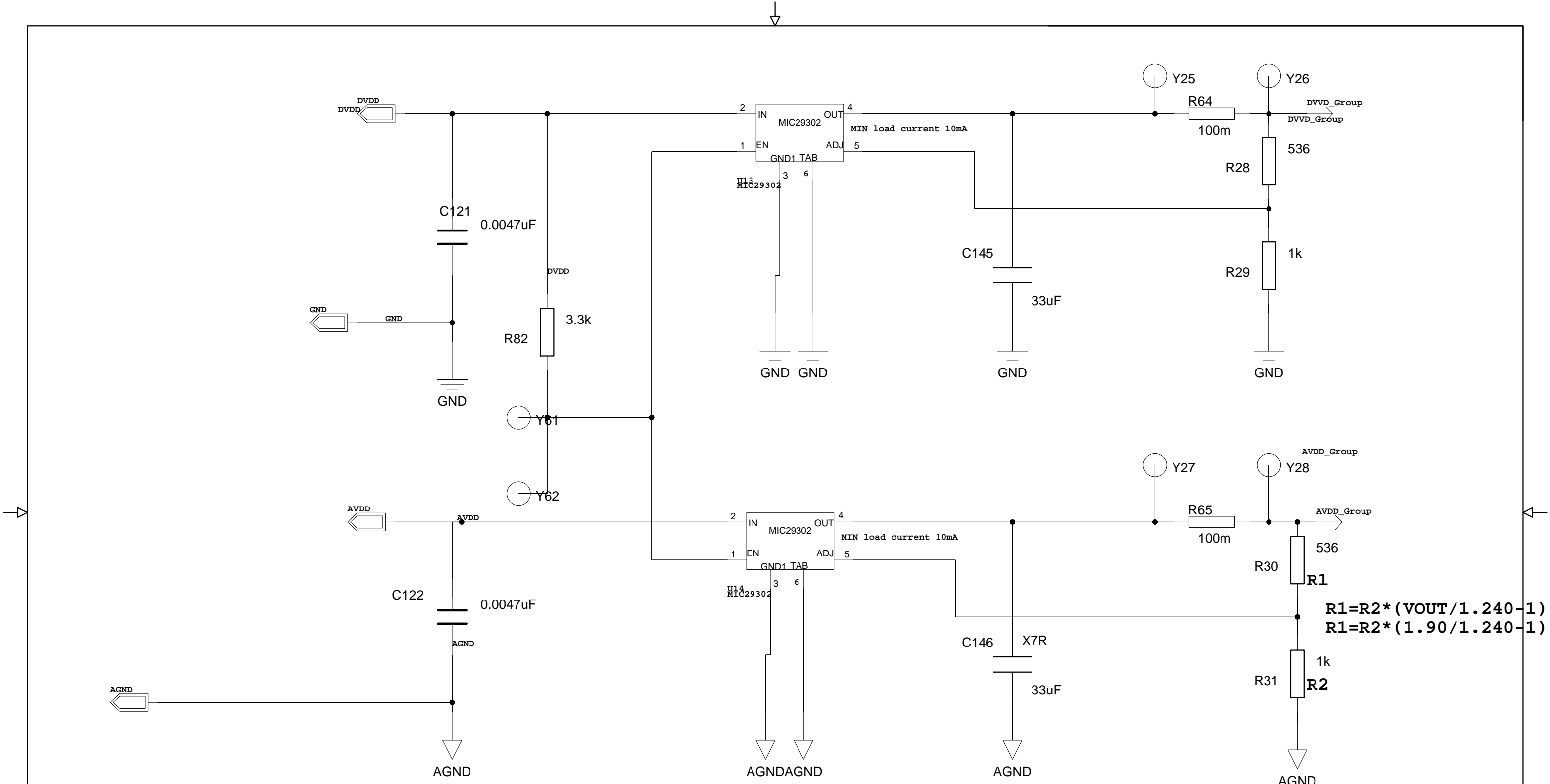
OK no.					
APPROVALS					
DRAWN BY				Voltage_regulator	
CHECKED					
DATE		SIZE	VER		REV
TIME: 12/01/2020:13:45		B			
		SHEET 1 of 22			



$$R1 = R2 * (VOUT / 1.240 - 1)$$

$$R1 = R2 * (1.90 / 1.240 - 1)$$

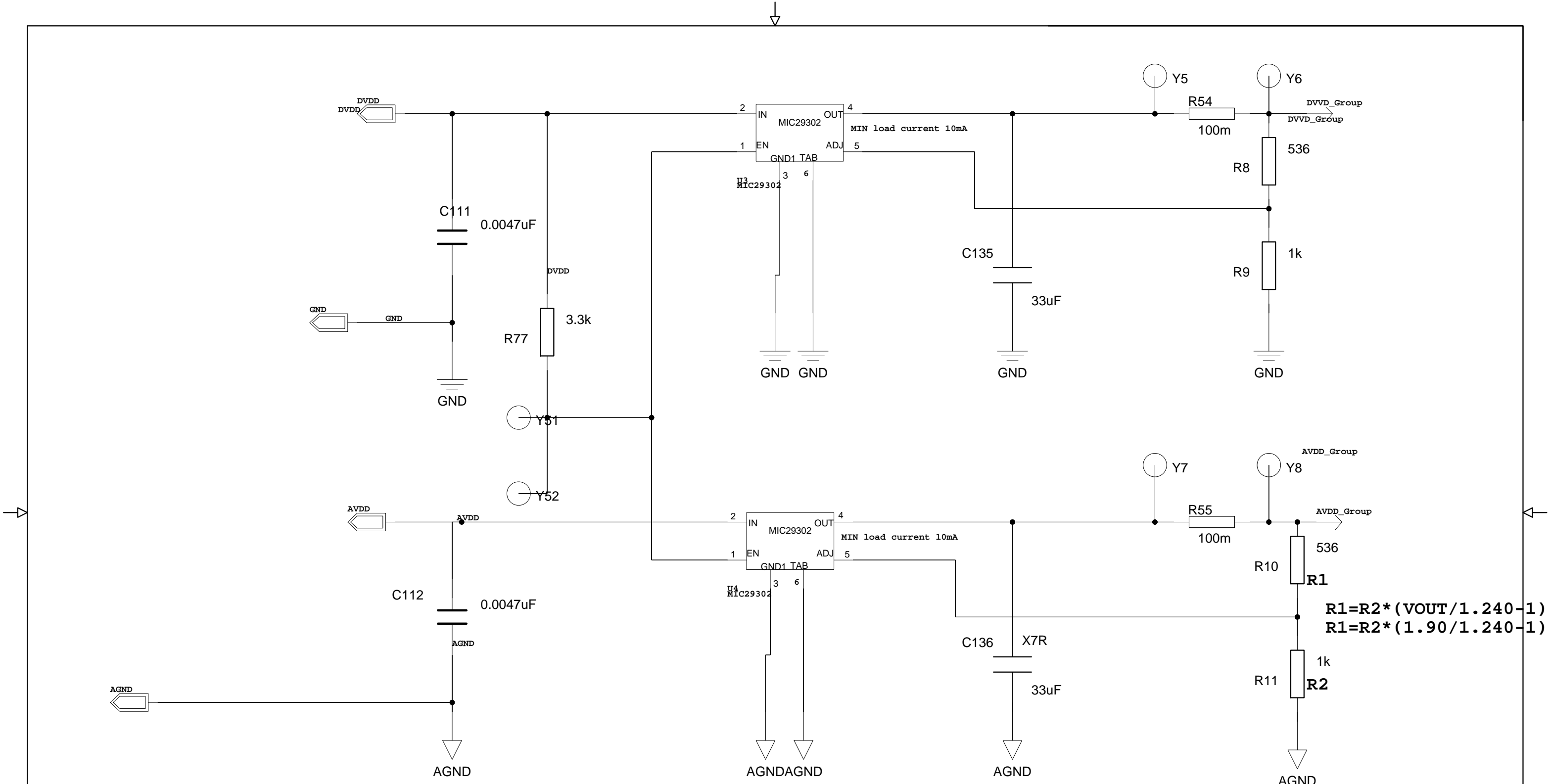
OK no.					
APPROVALS					
DRAWN BY				Voltage_regulator	
CHECKED					
DATE		SIZE	VER		REV
TIME: 12/01/2020:13:45		B			
		SHEET 1 of 22			



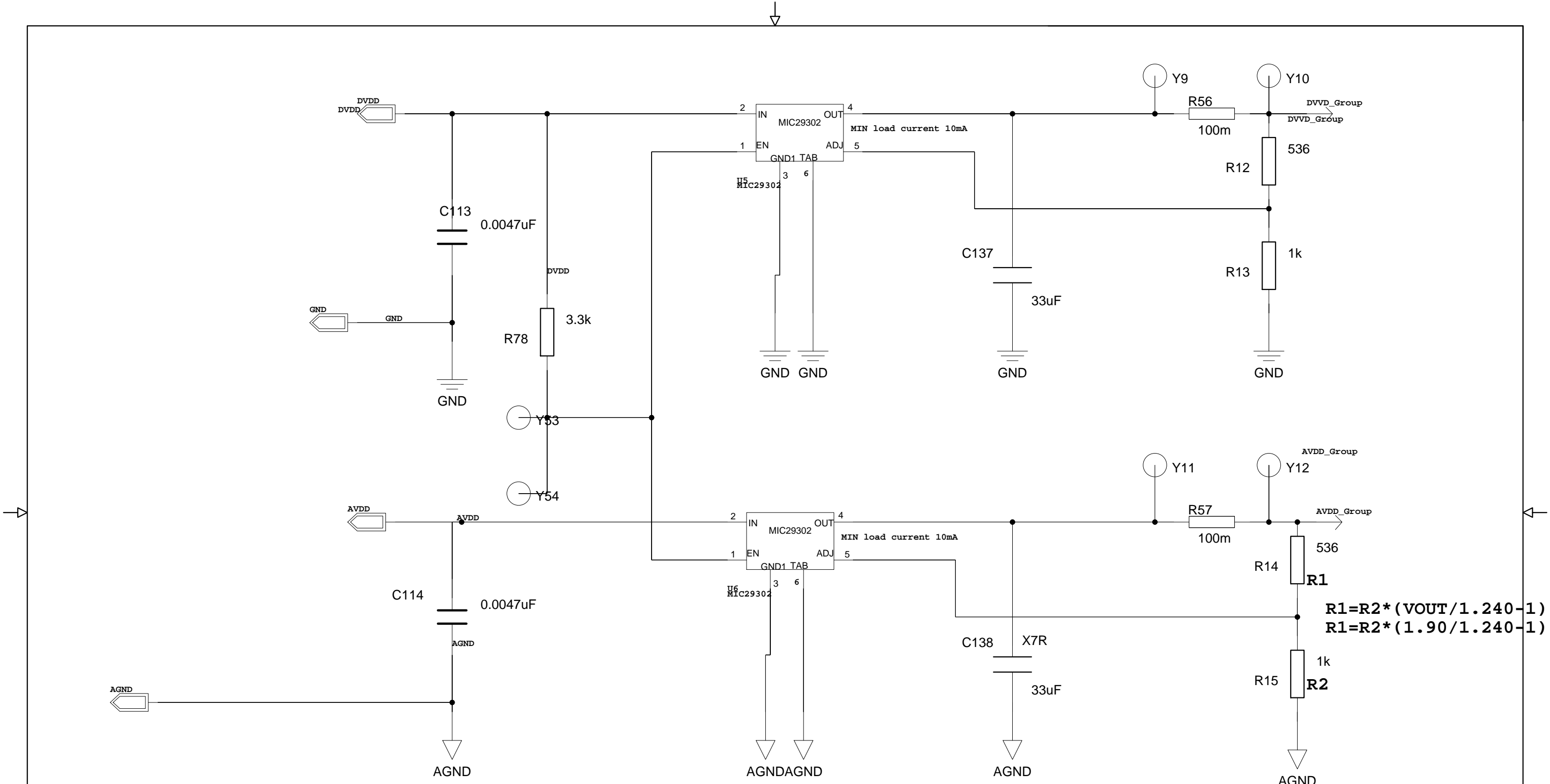
$$R1 = R2 * (V_{OUT} / 1.240 - 1)$$

$$R1 = R2 * (1.90 / 1.240 - 1)$$

OK no.				
APPROVALS				
DRAWN BY		Voltage_regulator		
CHECKED		SIZE		VER
DATE		B		REV
TIME: 12/01/2020:13:45		SHEET 1 of 22		



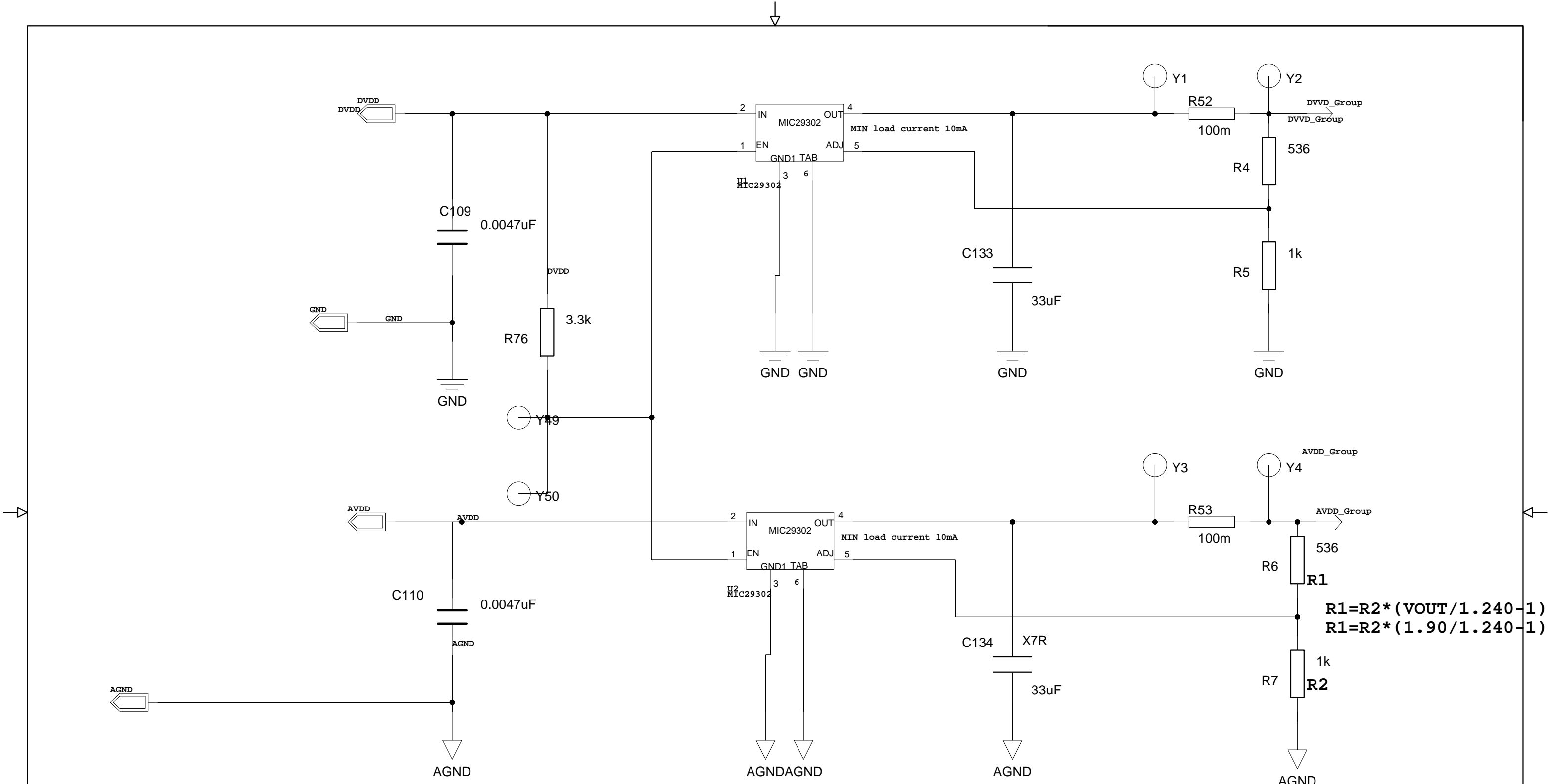
OK no.						
APPROVALS						
DRAWN BY				Voltage_regulator		
CHECKED						
DATE		SIZE			VER	REV
TIME: 12/01/2020:13:45		B				
		SHEET 1 of 22				



$$R1 = R2 \cdot (V_{OUT} / 1.240 - 1)$$

$$R1 = R2 \cdot (1.90 / 1.240 - 1)$$

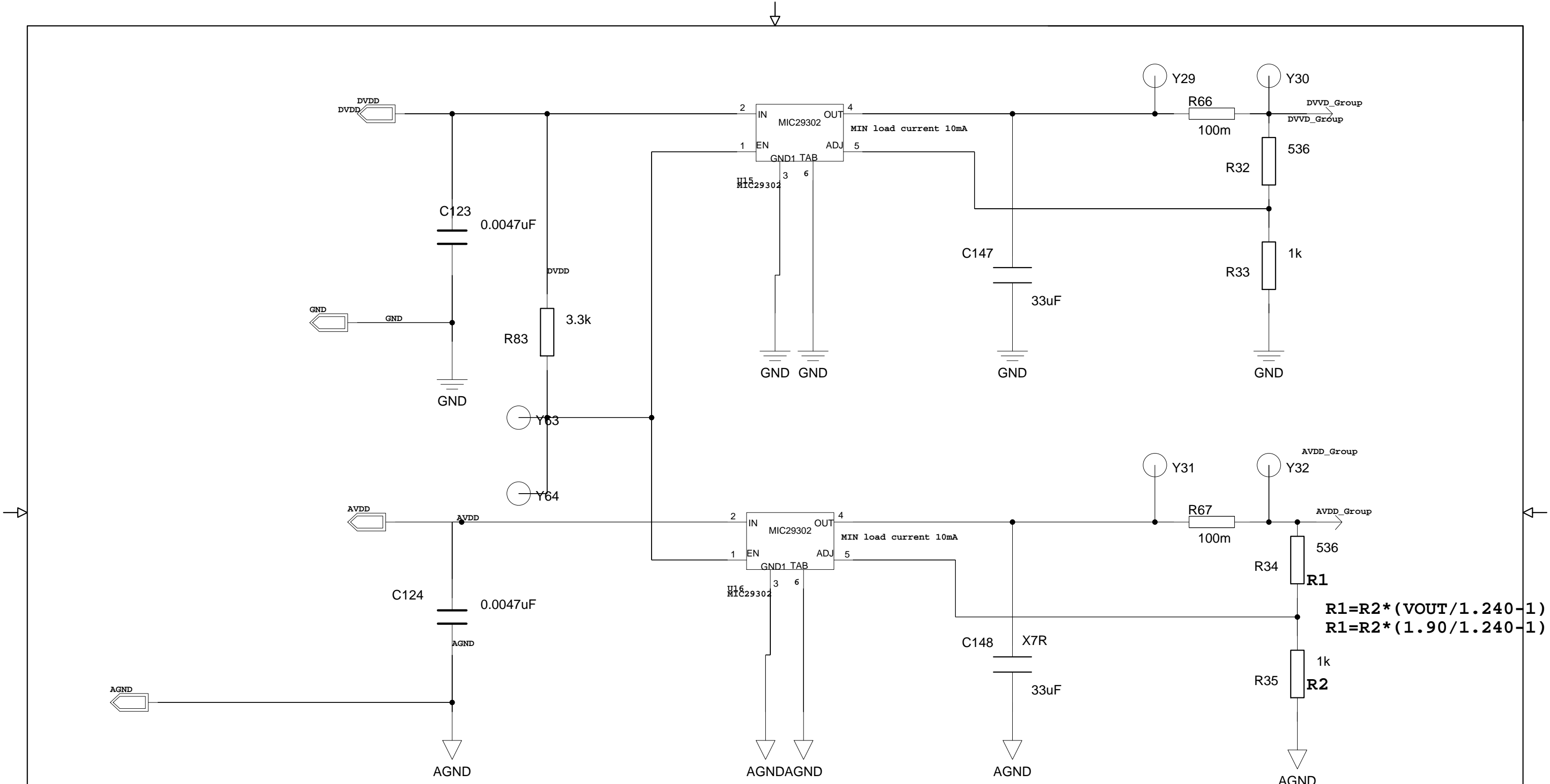
OK no.					
APPROVALS					
DRAWN BY		Voltage_regulator			
CHECKED		SIZE		VER	REV
DATE		B			
TIME: 12/01/2020:13:45		SHEET 1 of 22			



$$R1 = R2 * (VOUT / 1.240 - 1)$$

$$R1 = R2 * (1.90 / 1.240 - 1)$$

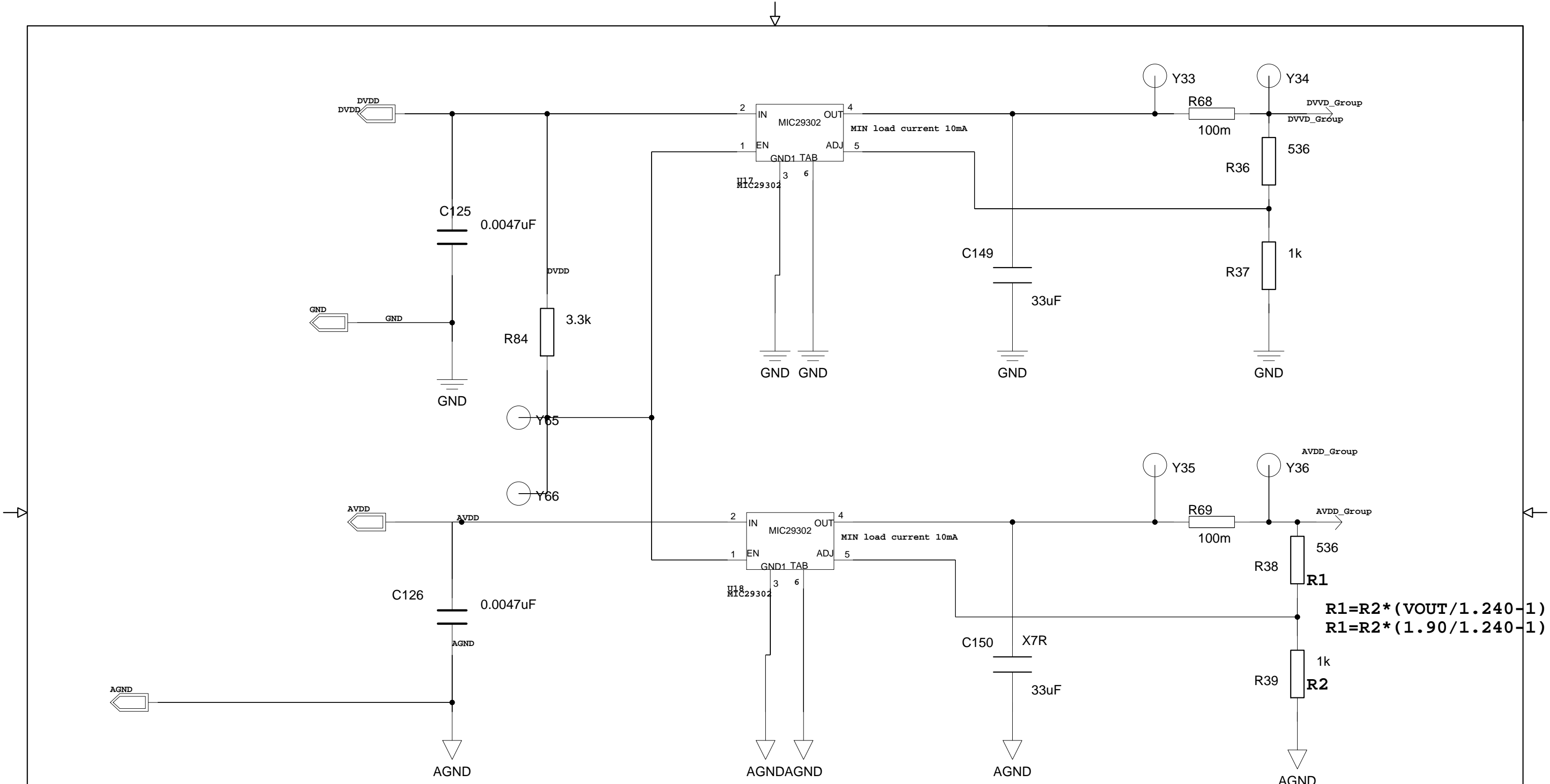
OK no.					
APPROVALS					
DRAWN BY				Voltage_regulator	
CHECKED					
DATE		SIZE	VER		REV
TIME: 12/01/2020:13:45		B			
		SHEET 1 of 22			



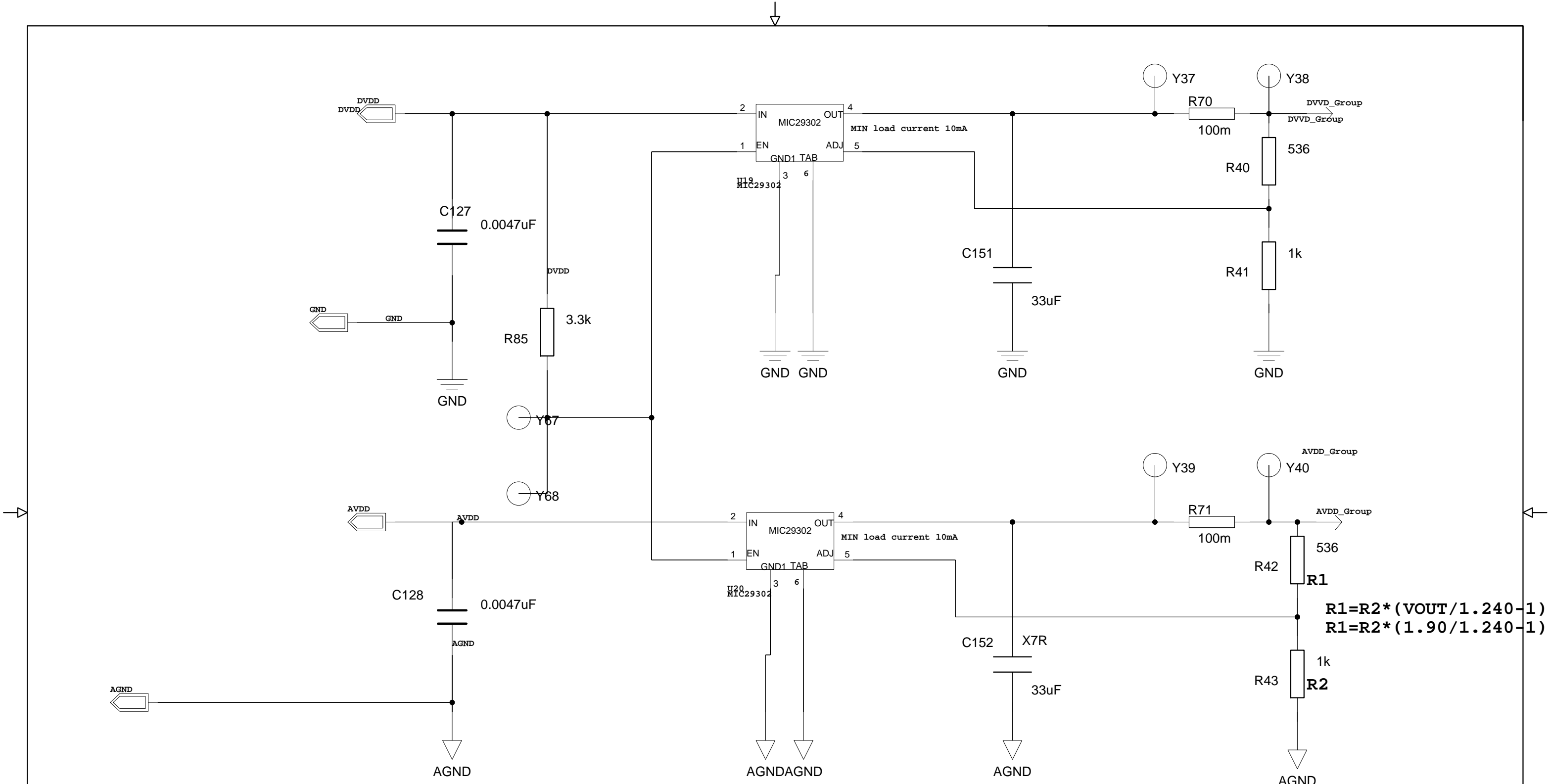
$$R1 = R2 * (VOUT / 1.240 - 1)$$

$$R1 = R2 * (1.90 / 1.240 - 1)$$

OK no.					
APPROVALS					
DRAWN BY				Voltage_regulator	
CHECKED					
DATE		SIZE	VER		REV
TIME: 12/01/2020:13:45		B			
		SHEET 1 of 22			



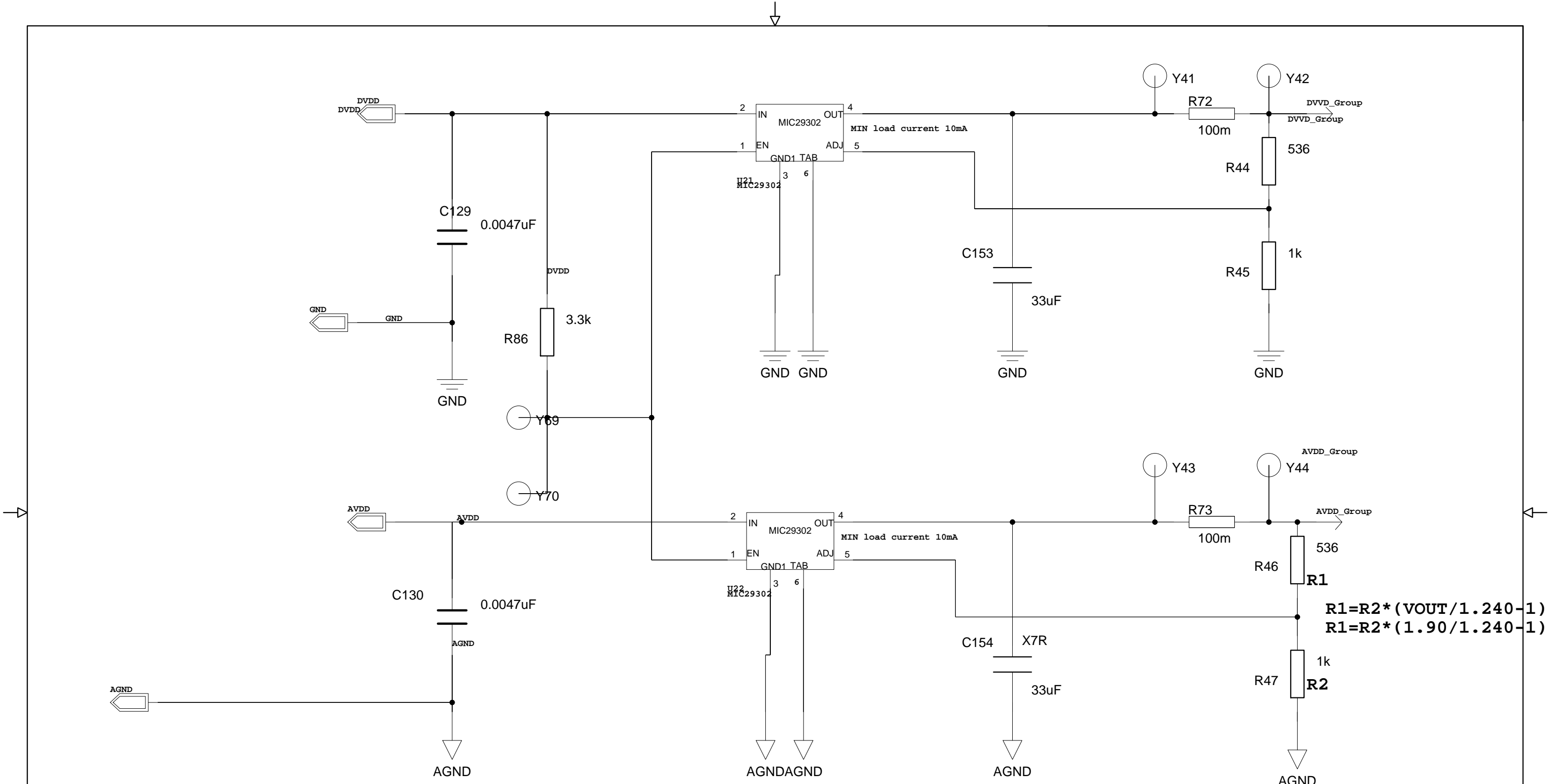
OK no.						
APPROVALS						
DRAWN BY				Voltage_regulator		
CHECKED						
DATE		SIZE			VER	REV
TIME: 12/01/2020:13:45		B				
		SHEET 1 of 22				



$$R1 = R2 * (VOUT / 1.240 - 1)$$

$$R1 = R2 * (1.90 / 1.240 - 1)$$

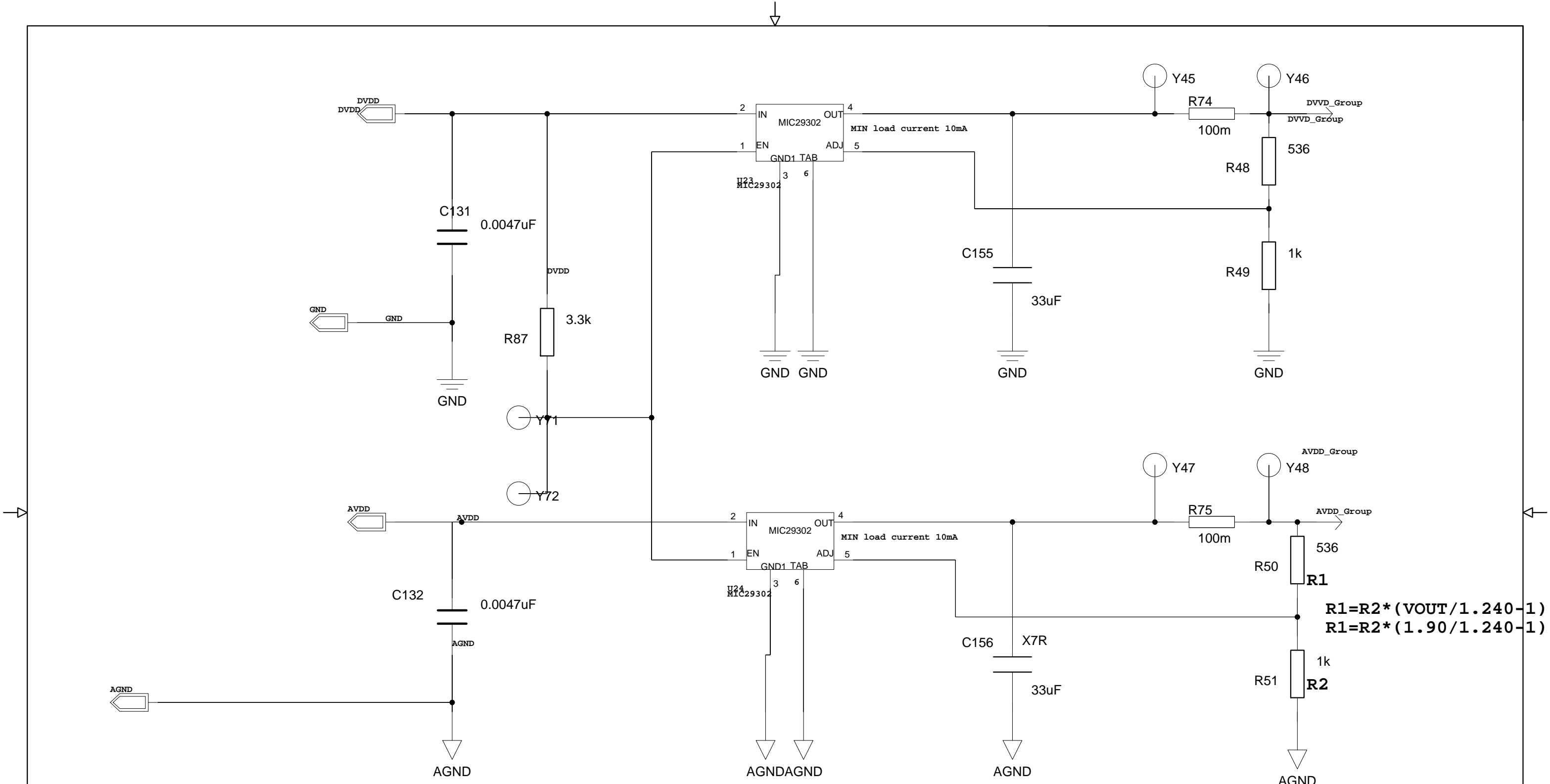
OK no.				
APPROVALS				
DRAWN BY		Voltage_regulator		
CHECKED		SIZE		VER
DATE		B		REV
TIME: 12/01/2020:13:45		SHEET 1 of 22		



$$R1 = R2 * (VOUT / 1.240 - 1)$$

$$R1 = R2 * (1.90 / 1.240 - 1)$$

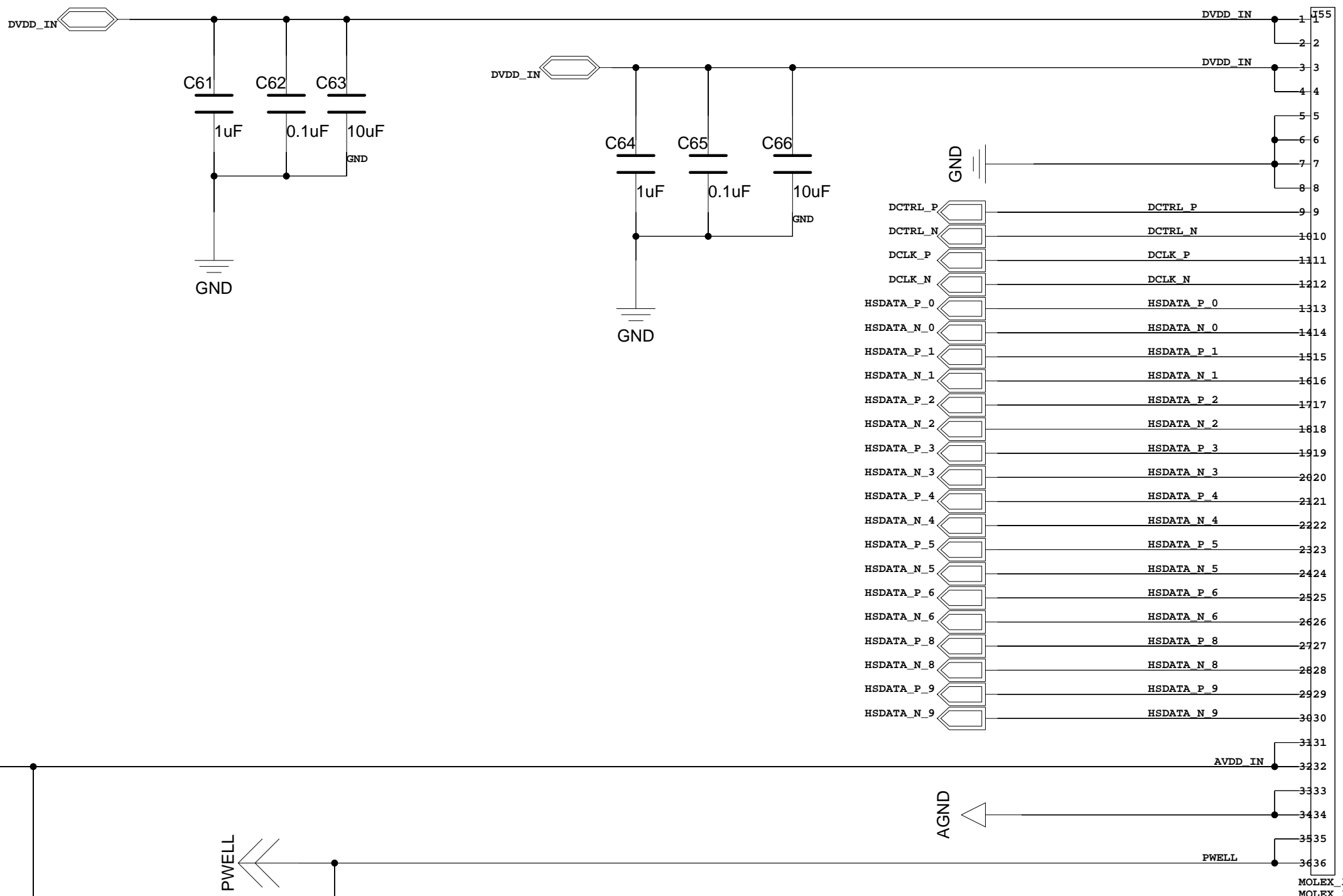
OK no.					
APPROVALS					
DRAWN BY				Voltage_regulator	
CHECKED					
DATE		SIZE	VER		REV
TIME: 12/01/2020:13:45		B			
		SHEET 1 of 22			



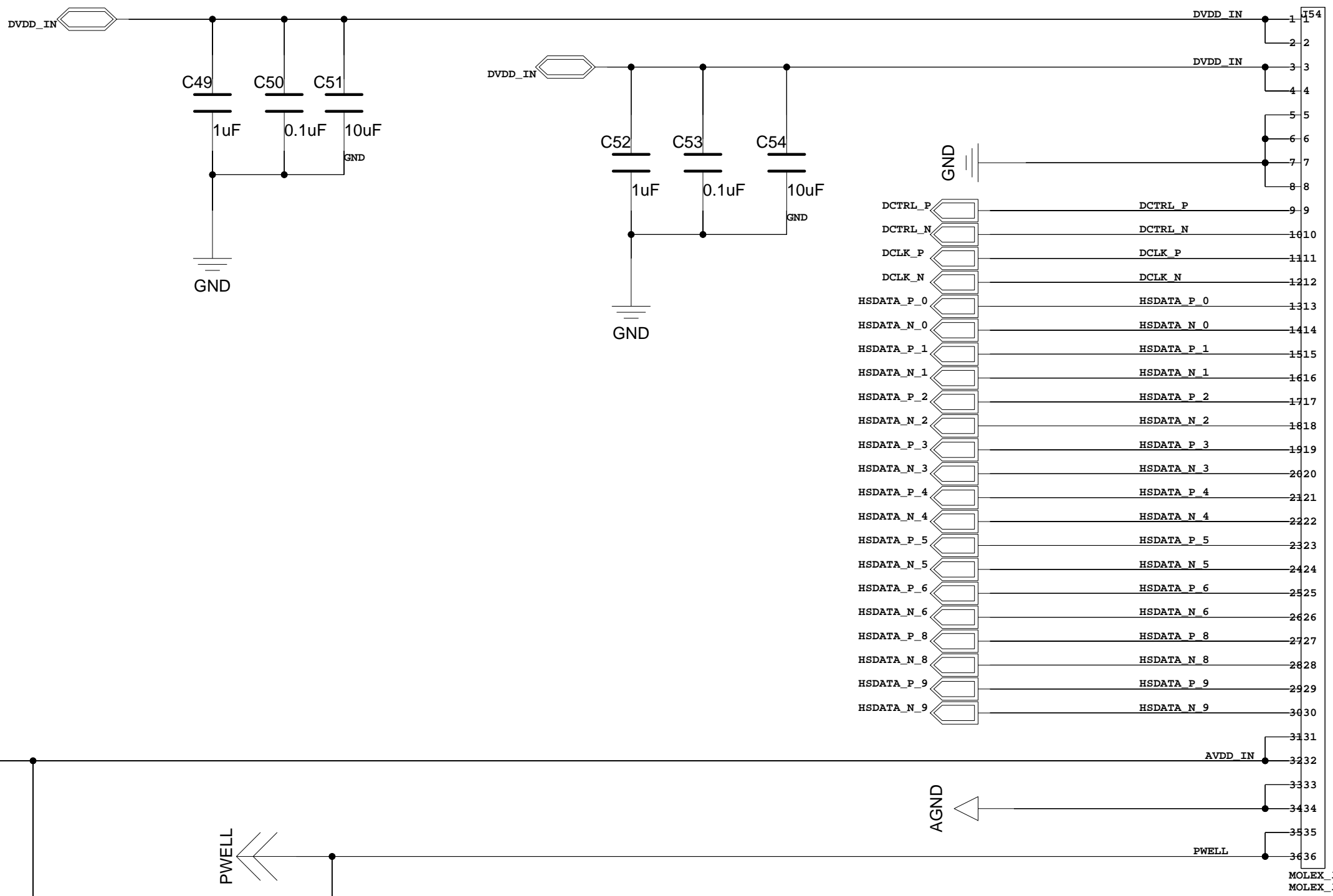
$$R1 = R2 * (V_{OUT} / 1.240 - 1)$$

$$R1 = R2 * (1.90 / 1.240 - 1)$$

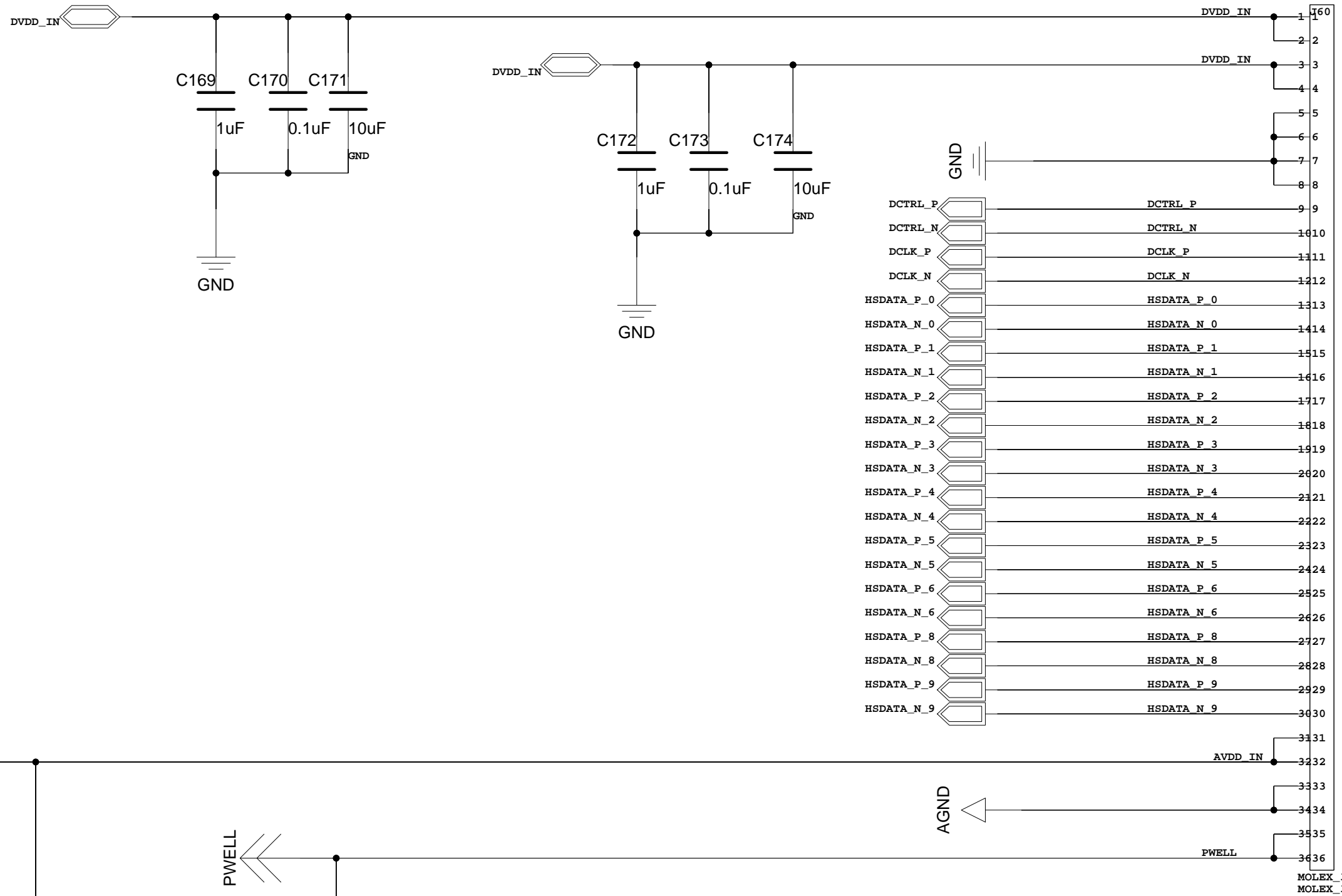
OK no.				
APPROVALS				
DRAWN BY		Voltage_regulator		
CHECKED		SIZE		VER
DATE		B		REV
TIME: 12/01/2020:13:45		SHEET 1 of 22		



OK no.				
APPROVALS				
DRAWN BY		ZIF		
CHECKED		SIZE		VER
DATE		B		REV
TIME: 12/01/2020:13:45		SHEET 1 of 22		

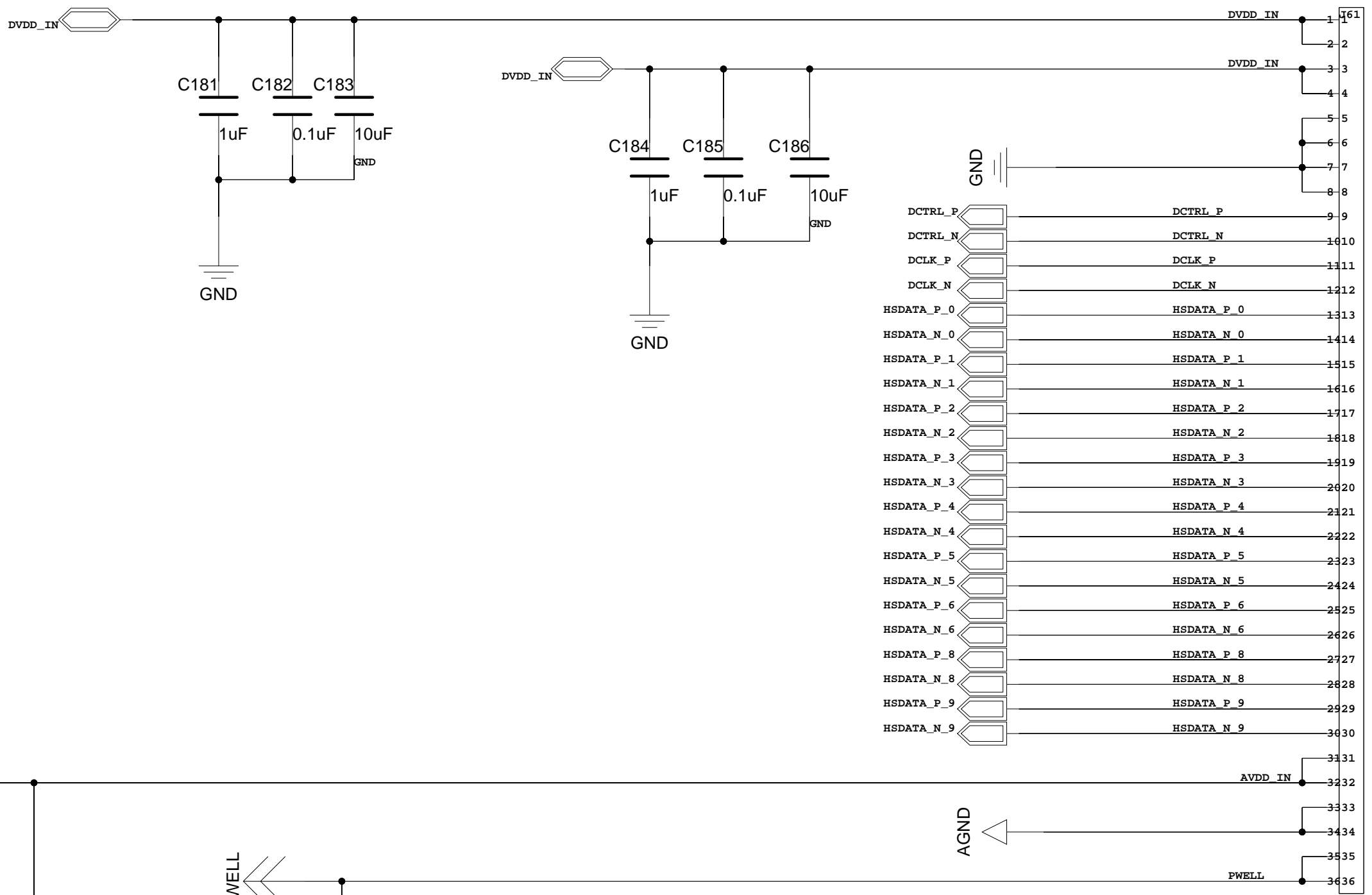


OK no.				
APPROVALS				
DRAWN BY		ZIF		
CHECKED		SIZE	VER	REV
DATE		B		
TIME: 12/01/2020:13:45		SHEET 1 of 22		



Per Alptide 3 capacitors 1x 1uF and 2x 100nF

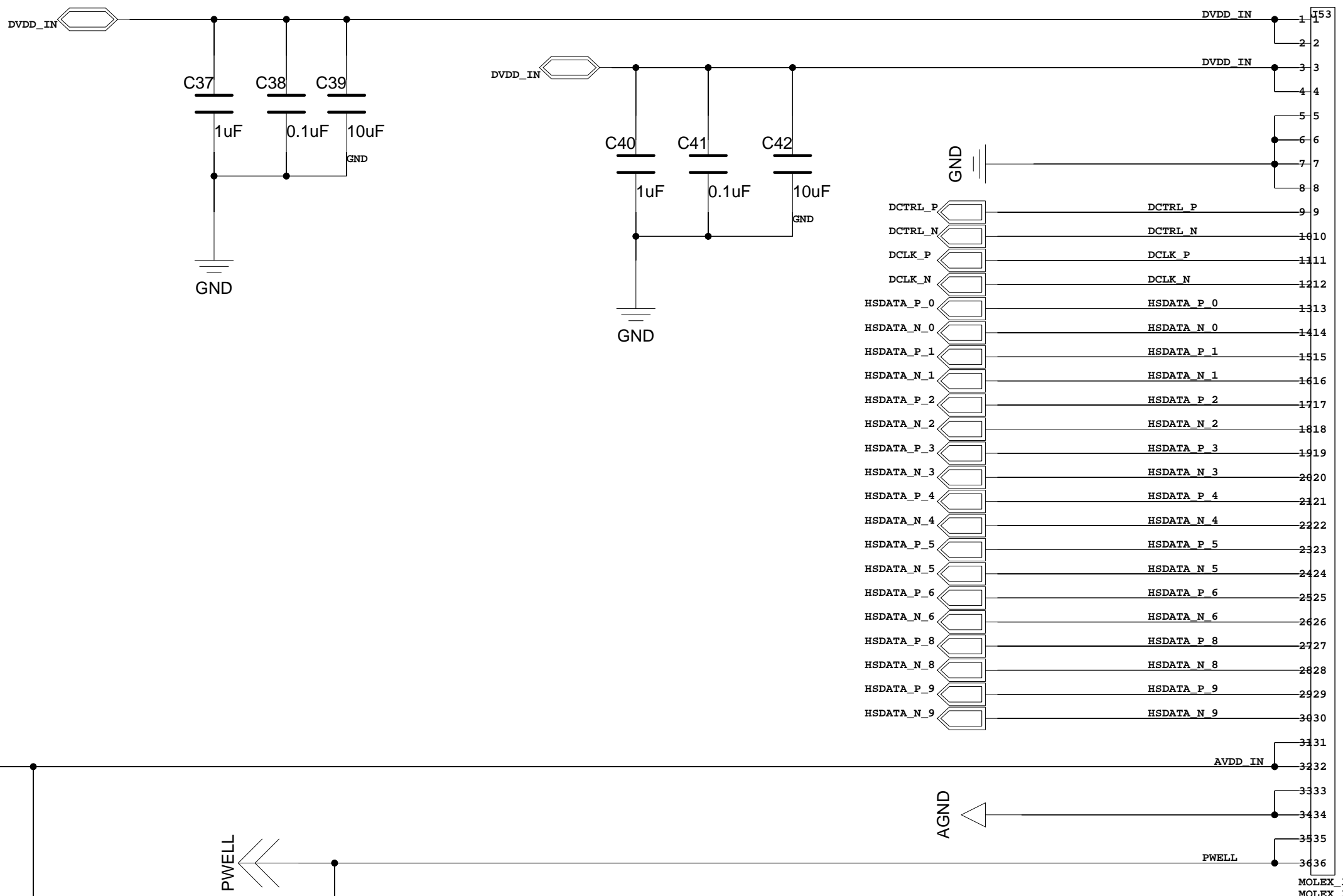
OK no.				
APPROVALS				
DRAWN BY	ZIF			
CHECKED	SIZE			VER
DATE	B			REV
TIME: 12/01/2020:13:45	SHEET 1 of 22			



MOLEX_36
MOLEX_36

Per Alptide 3 capacitors 1x 1uF and 2x 100nF

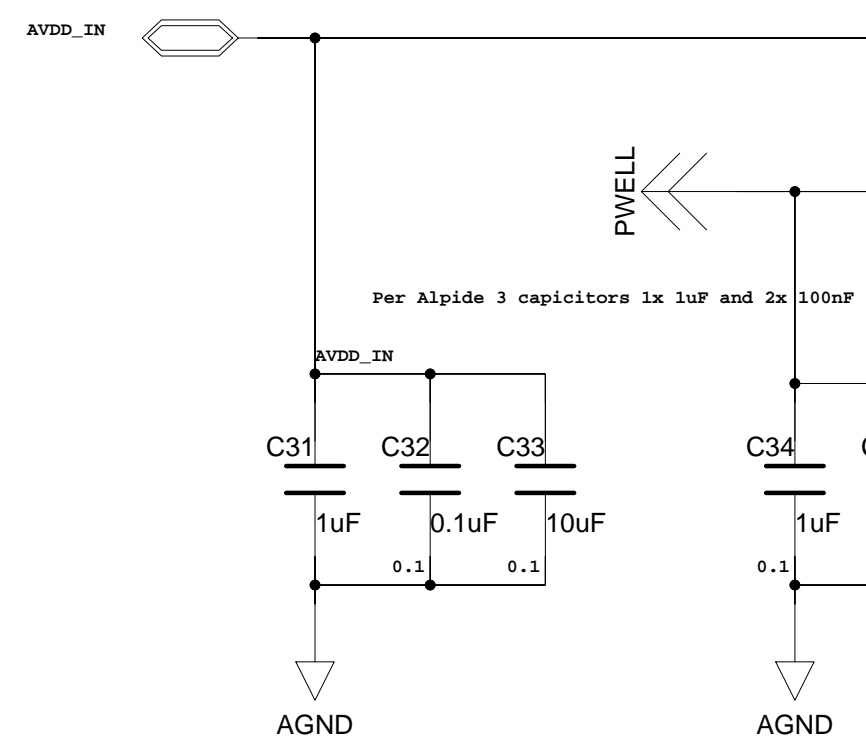
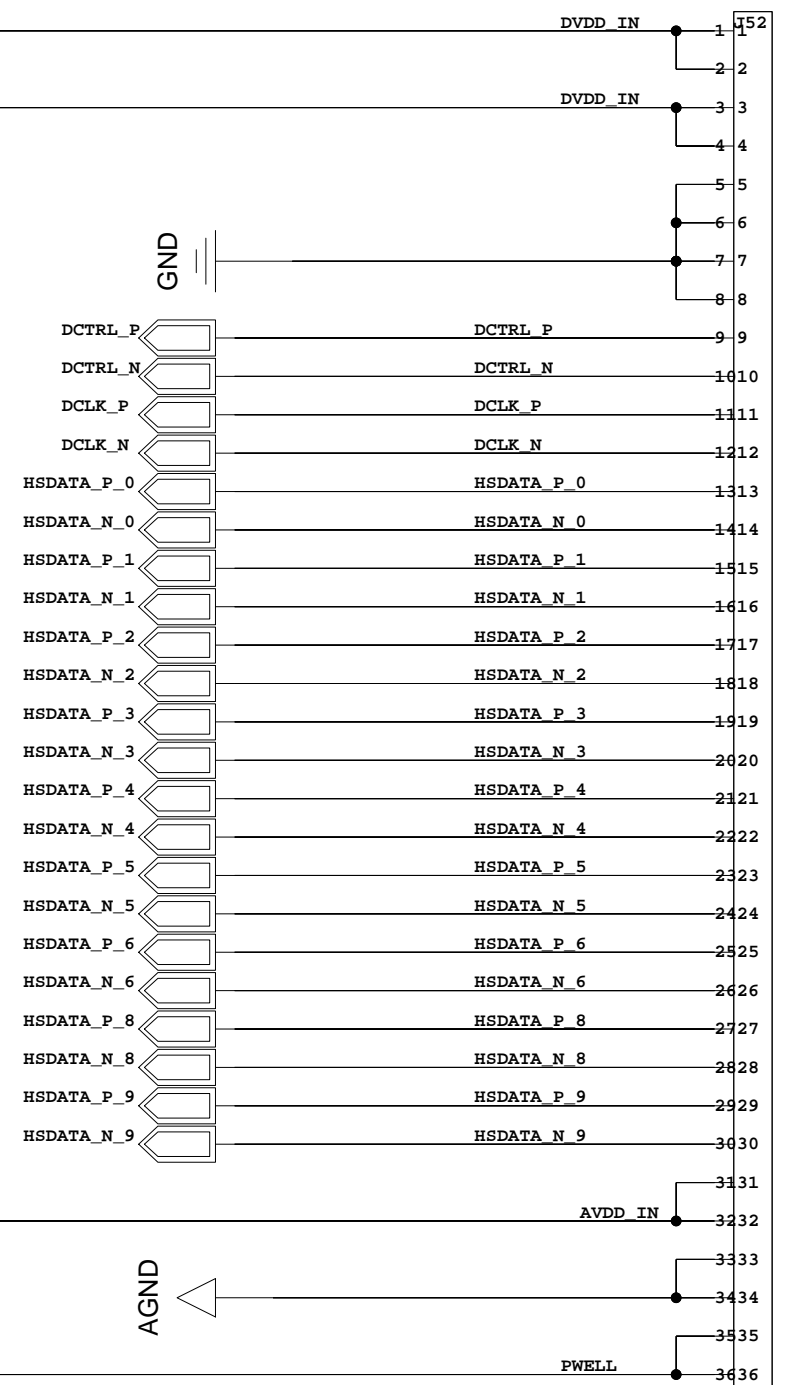
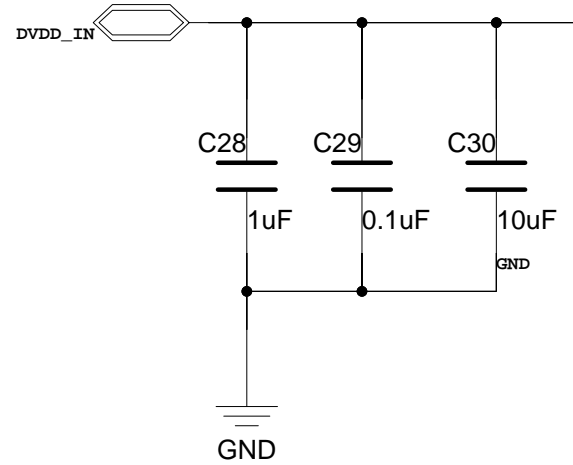
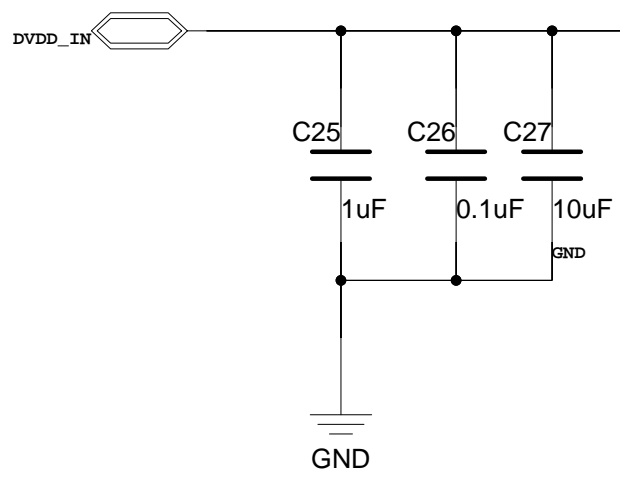
OK no.				
APPROVALS				
DRAWN BY		ZIF		
CHECKED		SIZE		VER
DATE		B		REV
TIME: 12/01/2020:13:45		SHEET 1 of 22		



Per Alptide 3 capacitors 1x 1uF and 2x 100nF

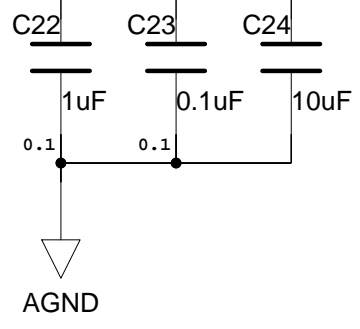
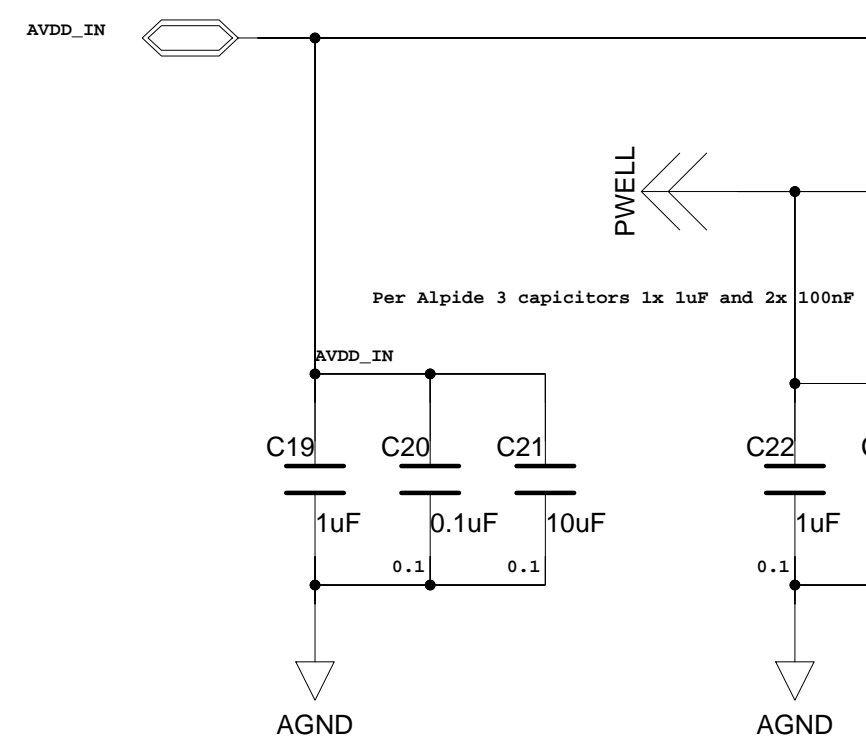
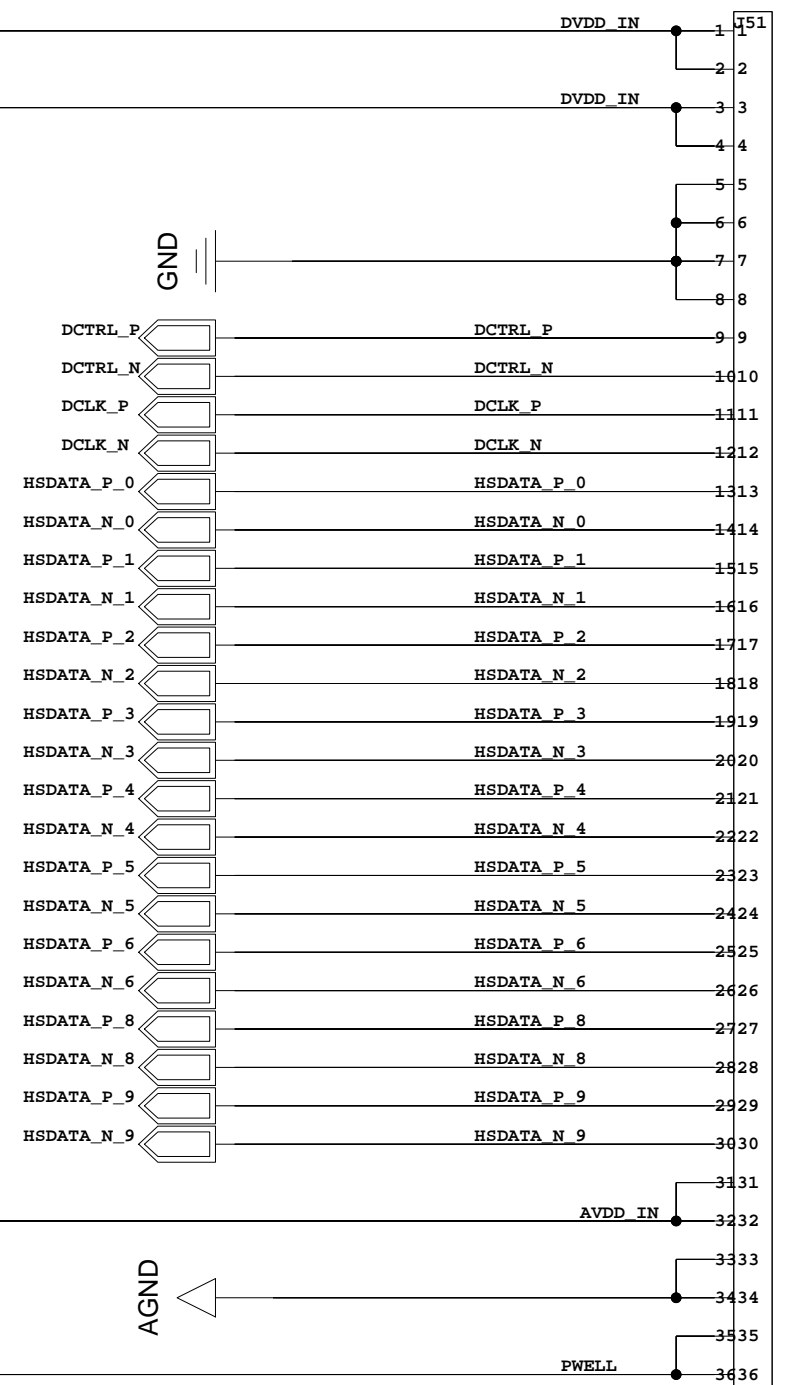
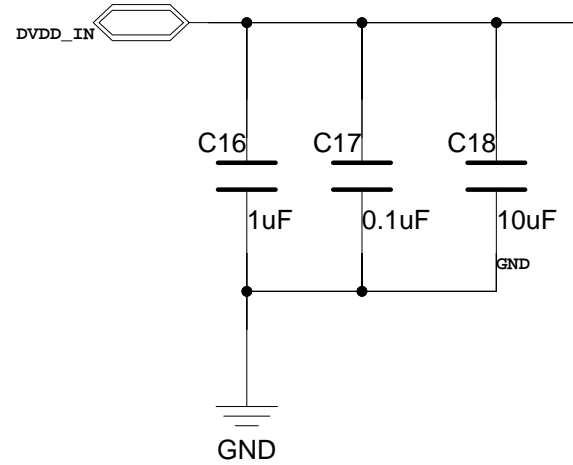
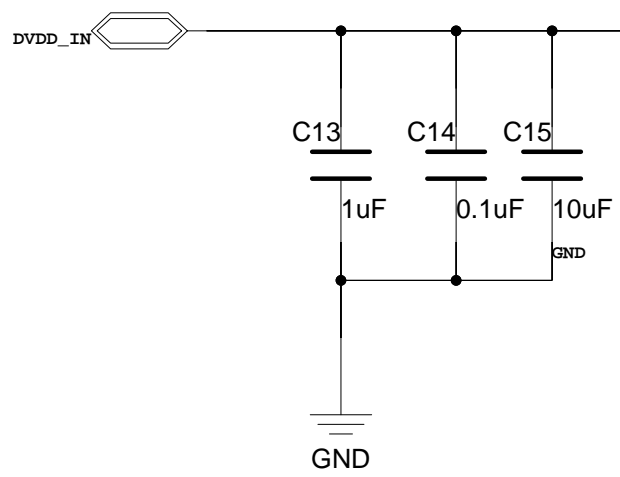
OK no.				
APPROVALS				
DRAWN BY		ZIF		
CHECKED		SIZE		VER
DATE		B		REV
TIME: 12/01/2020:13:45		SHEET 1 of 22		

MOLEX_36
MOLEX_36



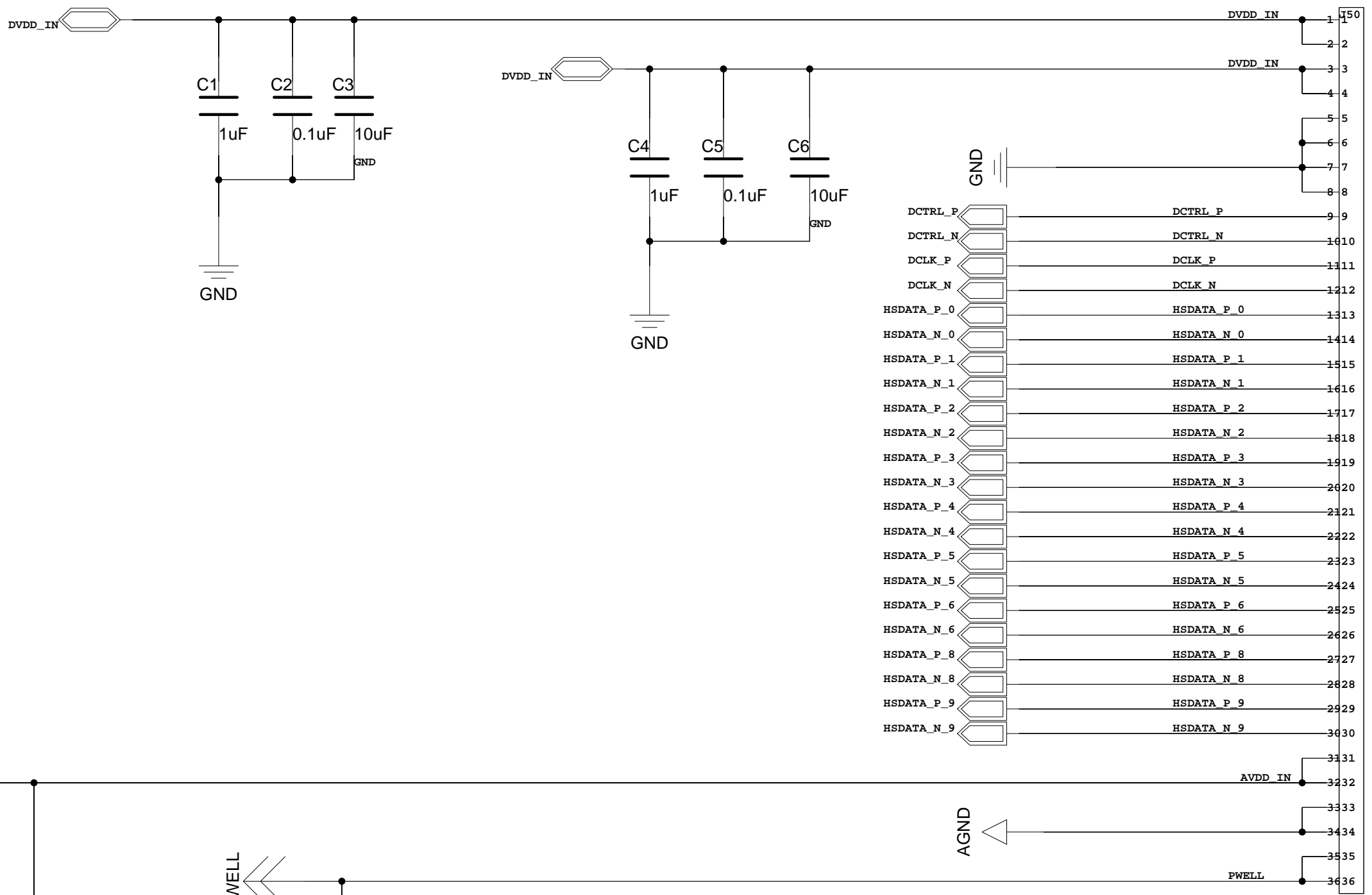
OK no.				
APPROVALS				
DRAWN BY		ZIF		
CHECKED		SIZE		VER
DATE		B		REV
TIME: 12/01/2020:13:45		SHEET 1 of 22		

MOLEX_36
MOLEX_36



OK no.			
APPROVALS			
DRAWN BY		ZIF	
CHECKED		SIZE	VER REV
DATE		B	
TIME: 12/01/2020:13:45		SHEET 1 of 22	

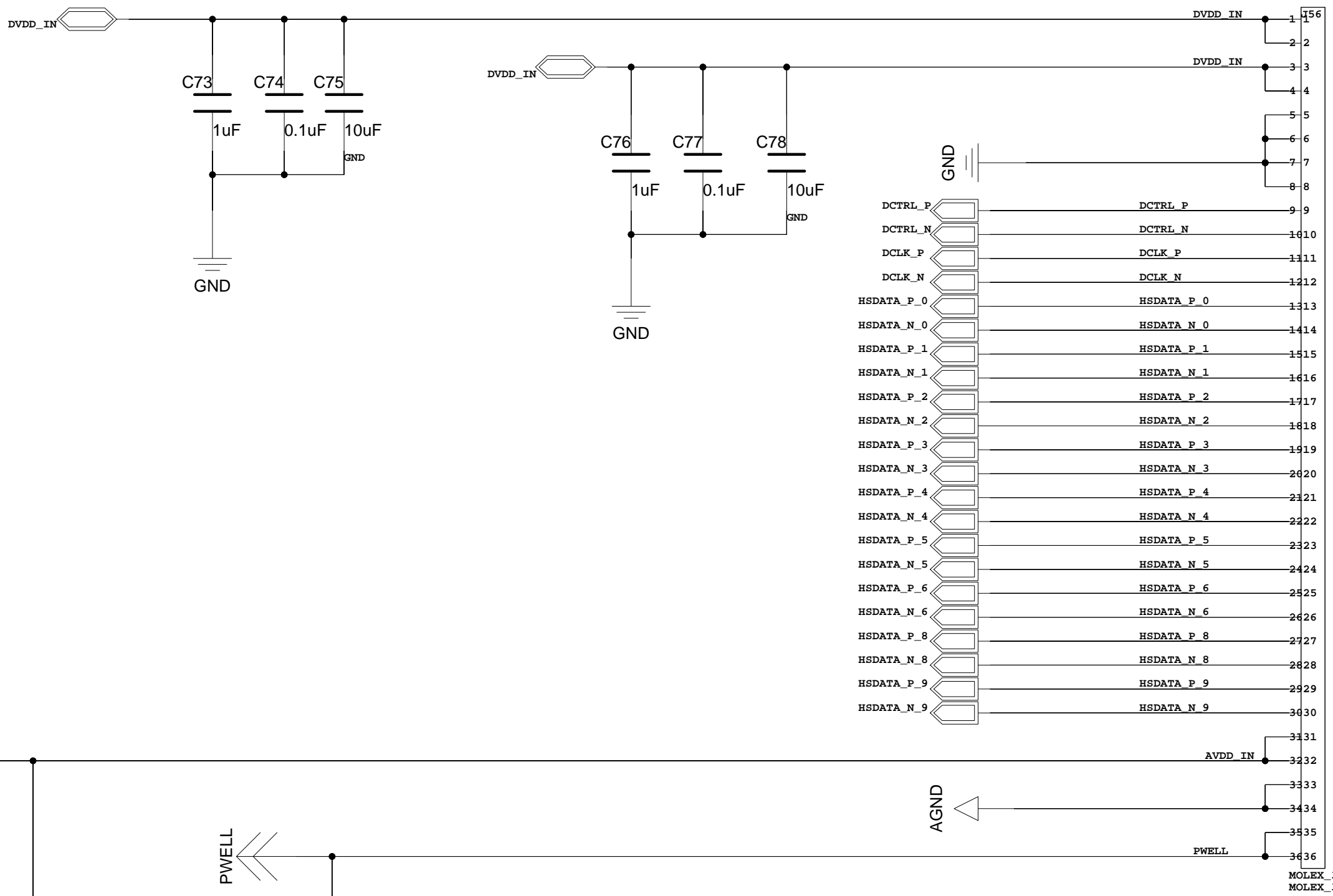
MOLEX_36
MOLEX_36



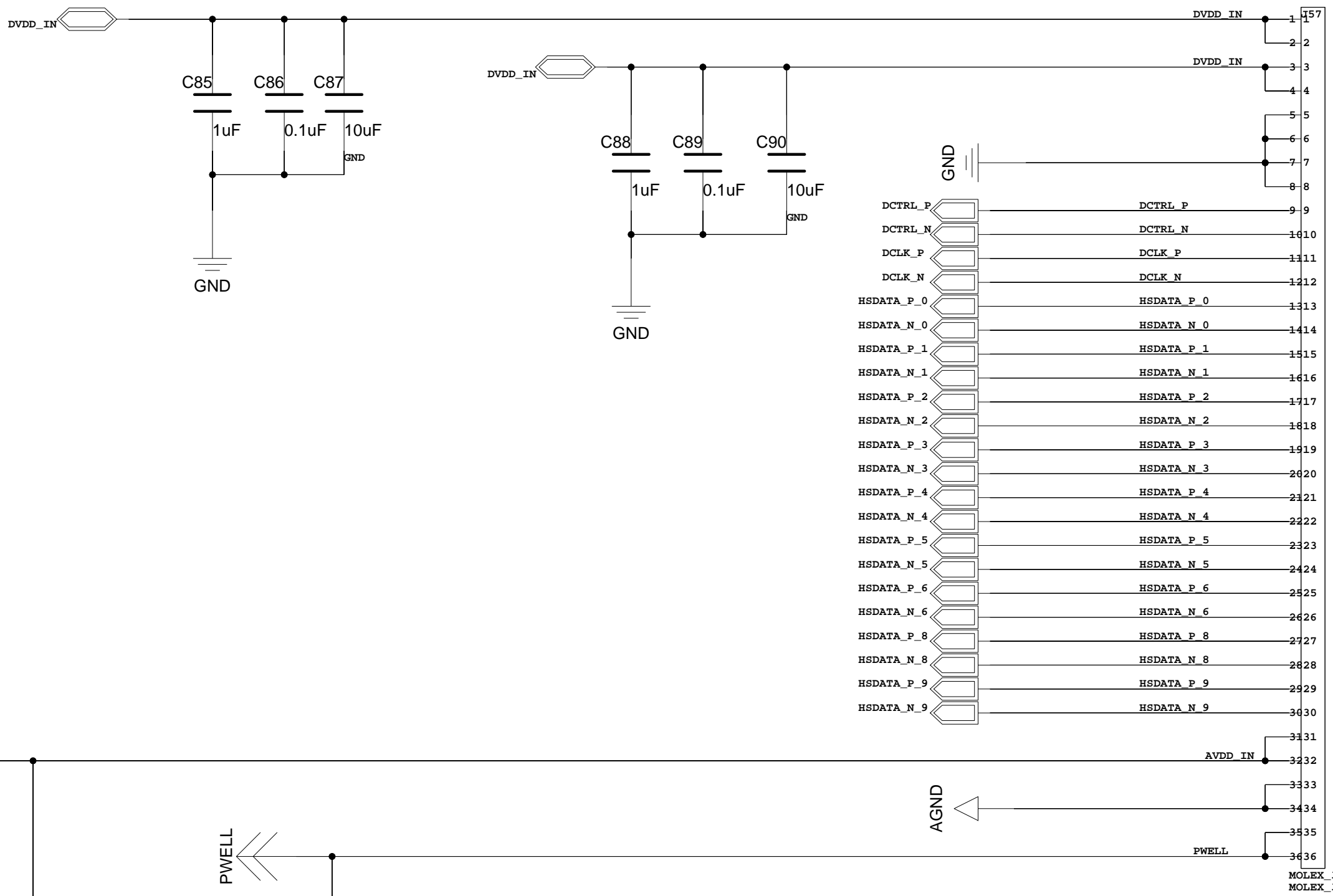
Per Alptide 3 capacitors 1x 1uF and 2x 100nF

OK no.				
APPROVALS				
DRAWN BY		ZIF		
CHECKED		SIZE		VER
DATE		B		REV
TIME: 12/01/2020:13:45		SHEET 1 of 22		

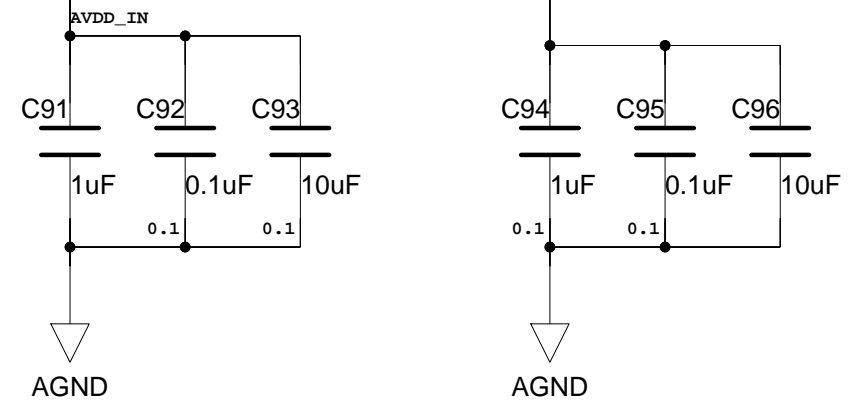
MOLEX_36
MOLEX_36



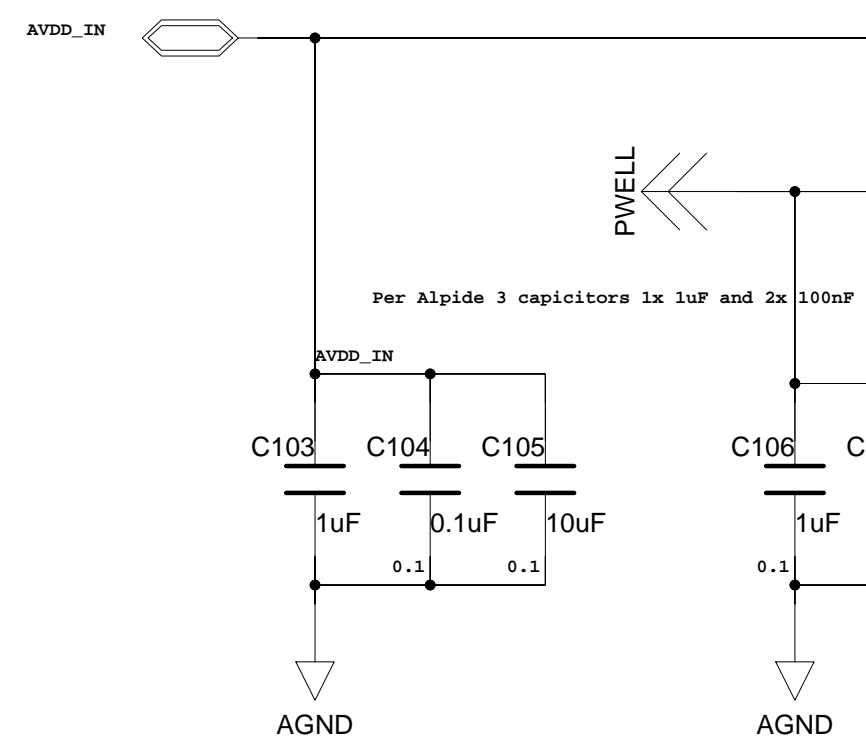
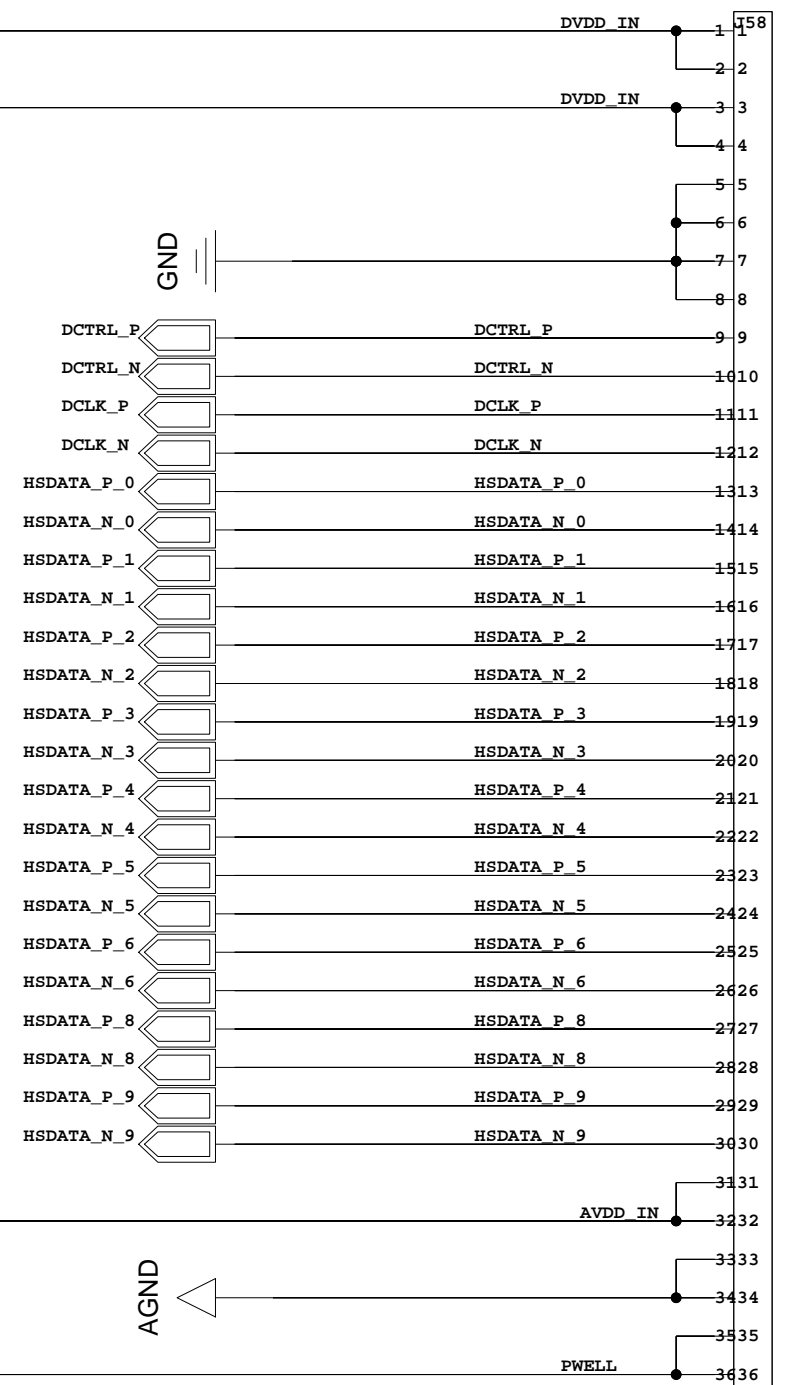
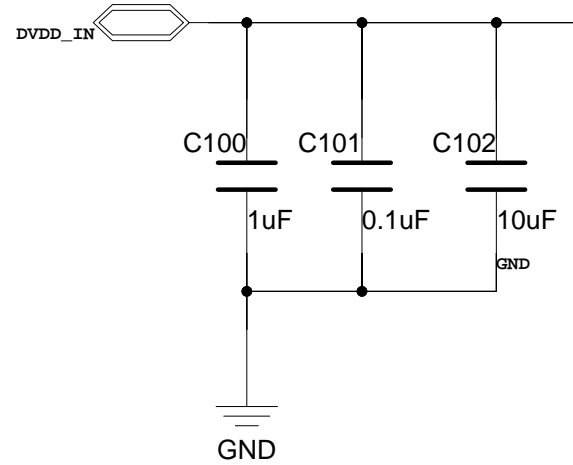
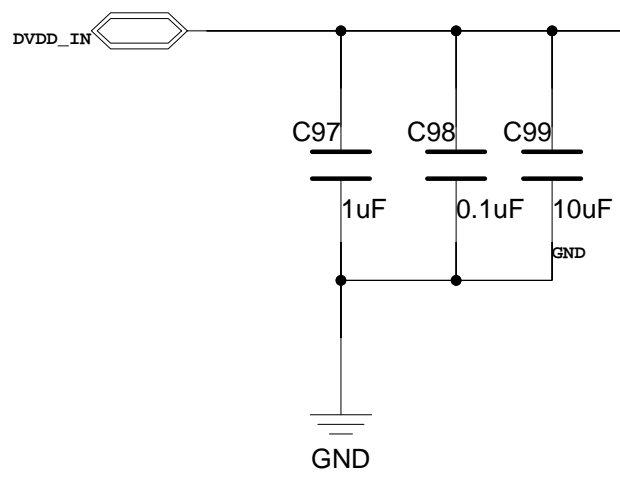
OK no.				
APPROVALS				
DRAWN BY		ZIF		
CHECKED		SIZE		VER
DATE		B		REV
TIME: 12/01/2020:13:45		SHEET 1 of 22		



Per Alptide 3 capacitors 1x 1uF and 2x 100nF

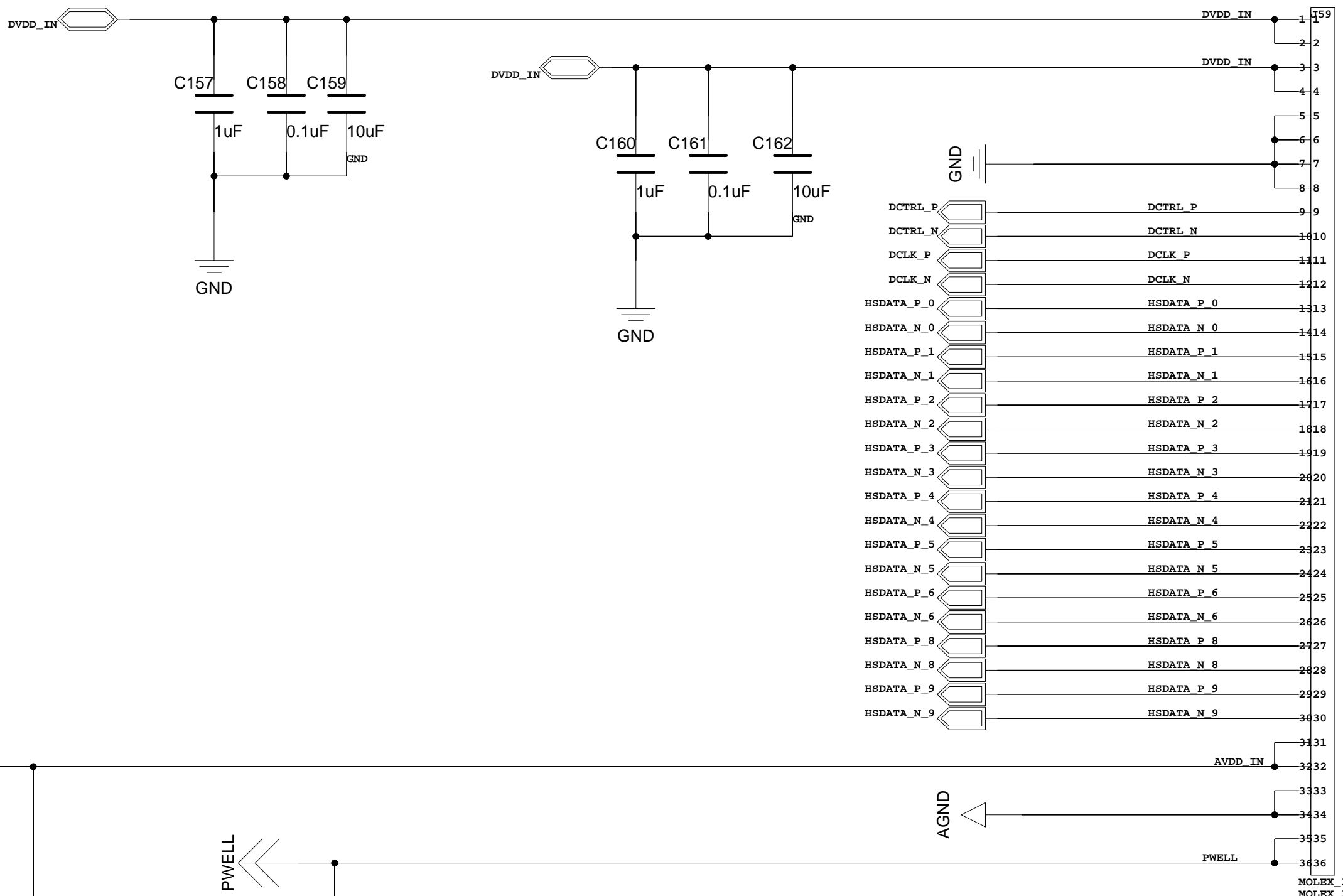


OK no.				
APPROVALS				
DRAWN BY		ZIF		
CHECKED		SIZE		VER
DATE		B		REV
TIME: 12/01/2020:13:45		SHEET 1 of 22		



OK no.				
APPROVALS				
DRAWN BY		ZIF		
CHECKED		SIZE	VER	REV
DATE		B		
TIME: 12/01/2020:13:45		SHEET 1 of 22		

MOLEX_36
MOLEX_36



OK no.				
APPROVALS				
DRAWN BY		ZIF		
CHECKED		SIZE		VER
DATE		B		REV
TIME: 12/01/2020:13:45		SHEET 1 of 22		