

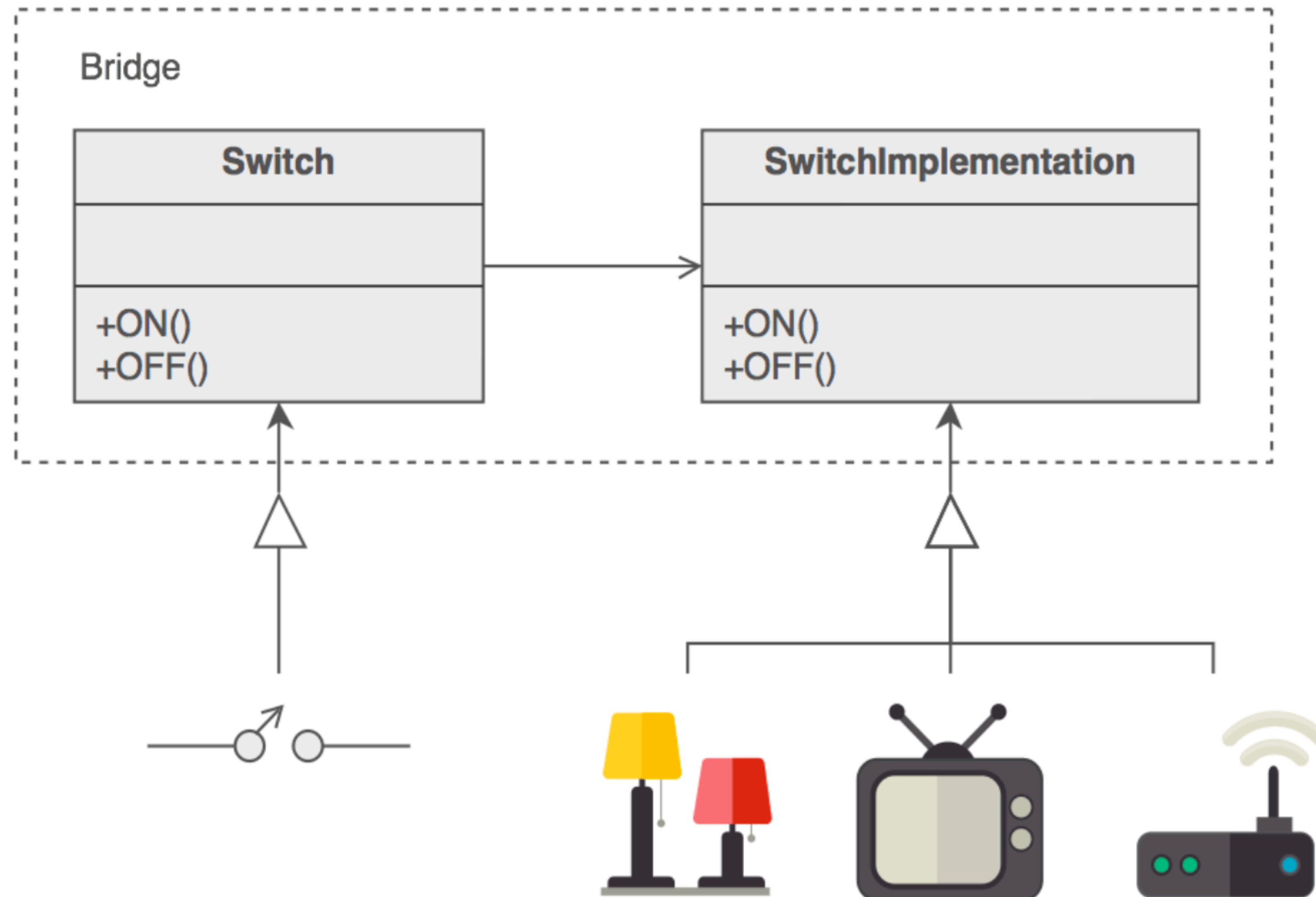
Design Pattern / Tests

Bridge, Iterator, Test: Unit, Functional, Integration

keidel@hs-worms.de, 2021-04-12

Bridge Design Pattern

https://sourcemaking.com/design_patterns/bridge



Bridge Design Pattern

<https://python-interface.readthedocs.io/en/latest/index.html>

```
from interface import implements, Interface

class MyInterface(Interface):

    def method1(self, x):
        pass

    def method2(self, x, y):
        pass

class MyClass(implements(MyInterface)):

    def method1(self, x):
        return x * 2

    def method2(self, x, y):
        return x + y
```

Bridge Design Pattern

<https://python-interface.readthedocs.io/en/latest/index.html>

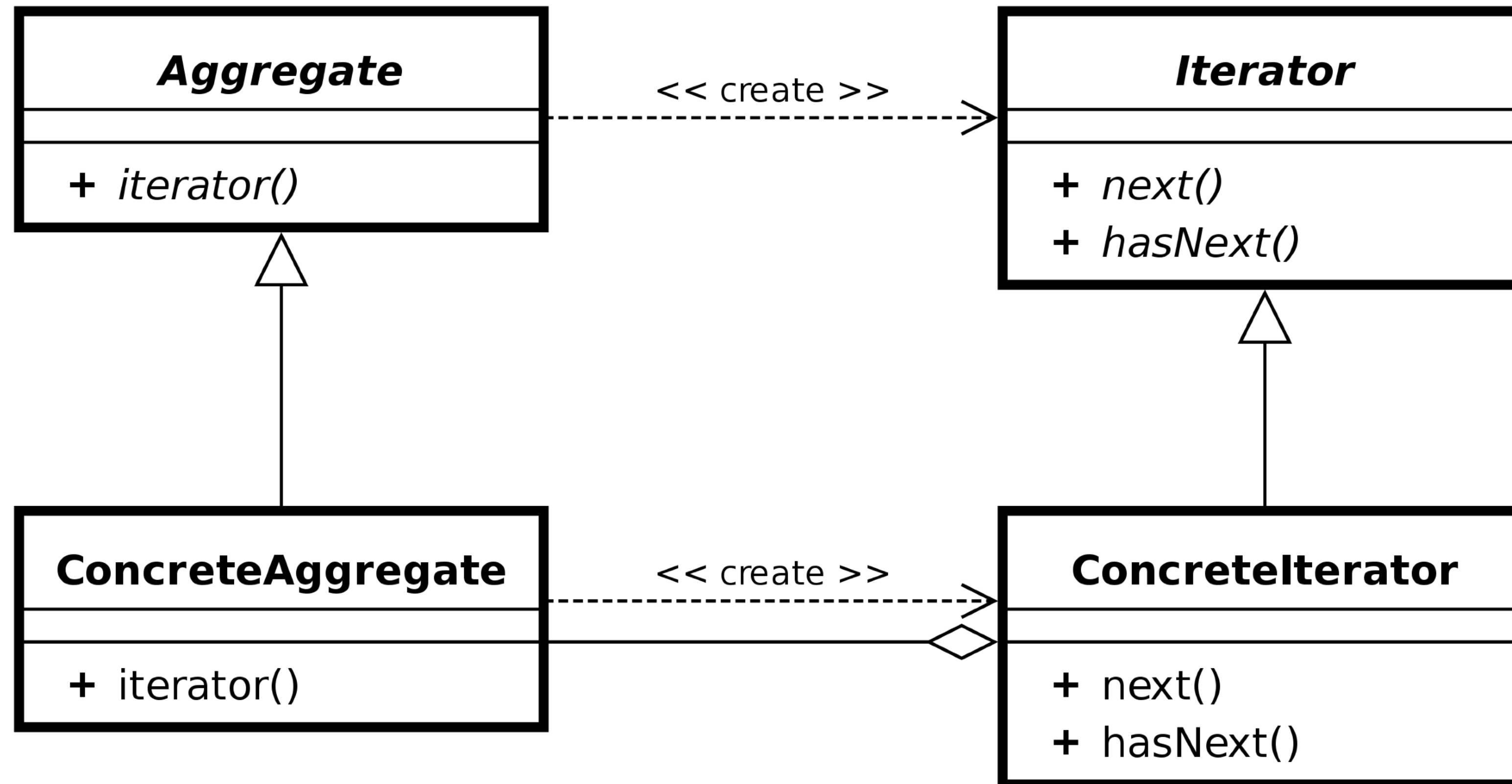
The C++ interfaces are implemented using **abstract classes**

```
class Box {
    public:
        // pure virtual function
        virtual double getVolume() = 0;

    private:
        double length;           // Length of a box
        double breadth;         // Breadth of a box
        double height;          // Height of a box
};
```

Iterator Design Pattern

https://en.wikipedia.org/wiki/Iterator_pattern



Tests

<https://me.me/i/unittests-passing-nointegrationtests-unit-tests-passing-no-integration-tests-53c8003af57f45e4be46960b62cf6627>



unit tests passing - no
integration tests

Thank for you patience

?